



**Gasb 34 Footages for Historical Cost**  
**Drain Length Log**

Drain-Improvement: SARAH MORGAN - HEATHER POINTE RELOCATION

Drain Type:	Size:	Length	Length (DB Query)	Length Reconcile	If Applicable:	
					Price:	Cost:
PVC	10"	76'	76'			
RCP	30"	709'	709'			
	2x48"	190'	190'			
OPEN DITCH	—	720'	720'			

Sum: 1695' 1695' 36,000.<sup>00</sup>

Final Report: 1695'

Comments:

---



---



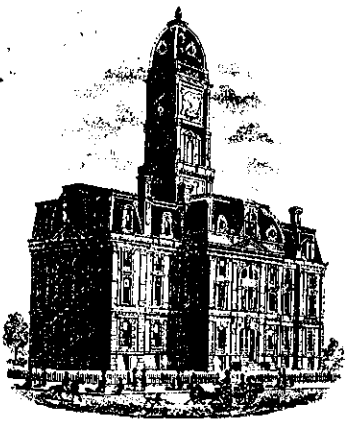
---



---



---



SURVEYOR'S OFFICE

# Hamilton County

*Kenton C. Ward, Surveyor*  
776-9626

942 Maple Avenue

Noblesville, Indiana 46060

February 21, 1989

TO: Hamilton County Drainage Board  
RE: Sarah Morgan Drain

Attached is a petition for the reconstruction of the Sarah Morgan Drain filed by the Mansur Corporation. The petition is accompanied by plans for the reconstruction and calculations for the proposed system. The plans and accompanying documentation are to be considered as part of this report.

The proposed system will intercept the existing drain at or near STA 1+40 as per the 1910 Viewers Report. The new storm sewer system will then run as shown on the attached plan and terminate in Mud Creek at STA 0+00 which is approximately 150 feet upstream from STA 22+40 which is the terminus of the original drain. The new system shall consist of the following lengths:

54" RCP	195 feet	18" RCP	70 feet
36" RCP	135 feet	15' RCP	610 feet
30" RCP	770 feet	12" RCP	300 feet
24" RCP	155 feet		

The total length of the drain including the 140 feet of original drain is 2375 feet.

The proposed lake will not be part of the drain but will be the maintenance responsibility of the Mansur Corporation until a Homeowners Association is formed to under take the maintenance. The regulated drain which will be maintained will be the original portion of the drain remaining along with the sections from STA 0+00 to 1+95 and 8+20 to 28+60 on the attached plan.

The reconstruction of the drain is necessary to accommodate the proposed construction

\* SEE AUGUST 22, 1994 REPORT

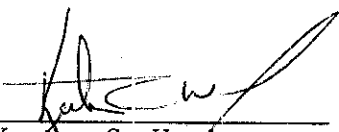
of Hamilton Proper. The cost of the reconstruction is to be paid by the Mansur Corporation. Upon review of the plans and documentation, I believe the reconstruction of the drain shall be of benefit to the drainage shed.

Because of the proposed development for the drainage shed the character of the shed will change from rural to urban. Therefore, I recommend the drain be classified as Urban Drain.

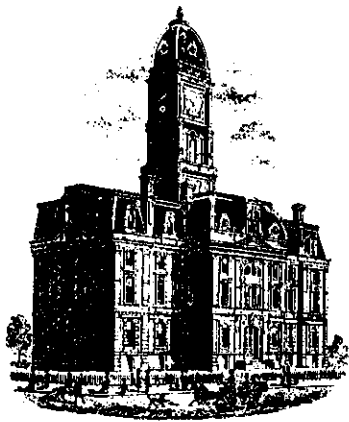
At this time I do not believe a change in the drainage shed nor in the drainage assessment should be made.

I recommend a hearing be set for April 1989. If approved at the hearing I recommend that the petitioner be given one (1) year from date of approval for completion and submit a performance bond or letter of credit for 100% of the estimate within thirty days of approval. Said Surety is to be released upon final inspection by the Surveyor and submittal of "As Built" Drawings.

KCW/no



Kenton C. Ward  
Hamilton County Surveyor



SURVEYOR'S OFFICE  
**Hamilton County**

*Kenton C. Ward, Surveyor*

*Suite 146*

August 22, 1994

776-8495

*One Hamilton County Square*

*Noblesville, Indiana 46060-2230*

TO: Hamilton County Drainage Board

RE: Sarah Morgan Drain-~~Heather Pointe~~

Attached is a petition for the reconstruction of the Sarah Morgan Drain filed by Hamilton Proper Partners Land Partnership, L.P.. The petition is accompanied by plans for the reconstruction and calculations for the proposed system. The plans and accompanying documentation are to be considered as part of this report.

The cost of the proposed relocation will be paid by Hamilton Proper Partners Land Partnership, L.P.

On April 17, 1989 a reconstruction hearing was held for the relocation of the drain. This relocation, petitioned for by Mansur Corporation, called for routing the existing drain around the proposed lot layout for Hamilton Proper. Since that time the layout has changed and thus the need for another hearing.

The proposed system as in the previous proposal (see report dated February 21, 1989) will intercept the existing drain at or near STA 1+40 as per the 1910 Viewers Report. The new storm sewer system will then run as shown on the attached plan and terminate in Mud Creek. The system as relocated is described as from STR 35 to STR 34,33,32,31,24 and 23. At STR 23 the storm sewer enters an open ditch, which is to become part of the regulated drain, from STR 23 to the detention pond. This open ditch is to the rear of Lots 115 to 122. The system will then include the section of storm pipe from the detention pond to Mud Creek.

The proposed detention pond will not be part of the drain but will be the maintenance responsibility of the Mansur Corporation until a Homeowners Association is formed to under take the maintenance. The regulated drain which will be maintained will be the original portion of the drain remaining along with the sections described above. The remainder of the storm sewer facilities within Heather Point Section 1 and 2 will be the maintenance responsibility of the Town of Fishers.

The new system shall consist of the following lengths:

Twin 48" RCP	190 feet
30" RCP	722 feet
Open Ditch	720 feet

The total length of the drain including the 140 feet of original drain is 1,772 feet.

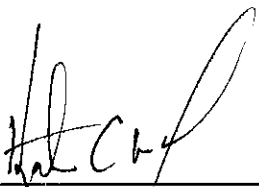
This drain was classified as an Urban Drain at the April 1989 hearing.

I recommend to the Board that the minimum maintenance assessment be raised from \$3.00 to \$10.00. Tracts within this drainage shed will also be assessed for Mud Creek at a future date.

I recommend a hearing be set for September 1994 regarding this petition. If approved at the hearing the Petitioner shall:

- 1.) Be given one (1) year from date of approval for completion of the relocation
- 2.) Must submit a performance bond or Letter of Credit for 100% of the estimated cost within thirty (30) days of approval
- 3.) Surety to be released upon final inspection by Surveyor's Office and submittal of "As Built" drawings.

Also attached is a non-enforcement request of easement for Heather Pointe Section 1 . The Board should approve the request at the time of approval for the relocation. The non-enforcement request for Section 2 will be filed at a later date.



---

Kenton C. Ward  
Hamilton County Surveyor



# AMWEST SURETY INSURANCE COMPANY

WOODLAND HILLS, CALIFORNIA

BOND NO. 022004117

PREMIUM \$720.00

Premium based on final contract price.

## PERFORMANCE BOND

Any singular reference to Contractor, Surety, Owner or other party shall be considered plural where applicable.

**CONTRACTOR (Name and Address):**

Heather Pointe L.L.C.  
700 Market Tower, 10 West Market Street  
Indianapolis, IN 46204

**BOARD OF COMMISSIONERS  
OF THE COUNTY OF HAMILTON**

*[Handwritten signatures]*

DATE 6/12/95

**OWNER (Name and Address):**

Hamilton County Board of Commissioners  
One Hamilton County Square, # 146  
Noblesville, IN 46060

**ATTEST:  
HAMILTON COUNTY AUDITOR**

**SURETY (Name and Principal Place of Business):**

AMWEST SURETY INSURANCE COMPANY  
8910 Purdue Road, Suite 305  
Indianapolis, IN 46268

**CONSTRUCTION CONTRACT**

Date: \_\_\_\_\_ Contract Number: \_\_\_\_\_

Amount: Thirty-Six Thousand and NO/100-----Dollars (\$36,000.00).

Description (Name and Location): Subdivison Bond - Heather Pointe Subdivision Storm  
Drainage Phase 1A, Hamilton County, IN

**BOND**

Amount: Thirty-Six Thousand and NO/100-----Dollars (\$36,000.00).

Signed, sealed and dated this 22nd Day of May, 1995.

Heather Pointe L.L.C. Principal

By: *[Signature]* Signature of Principal

**AMWEST SURETY INSURANCE COMPANY**

Sharon E. Calvin Attorney-in-Fact

By: *[Signature]* Signature of Attorney-in-Fact






CERTIFICATE OF COMPLETION AND COMPLIANCE

To: Hamilton County Surveyor

Re: Heather Pointe Section One  
Fishers, Indiana

I hereby certify that:

1. I am a Registered Land Surveyor or Engineer in the State of Indiana .
2. I am familiar with the plans and specifications for the above referenced subdivision .
3. I have personally observed and supervised the completion of the drainage facilities for the above referenced subdivision .
4. The drainage facilities within the above referenced subdivision to the best of my knowledge, information and belief have been installed and completed in conformity with all plans and specifications .

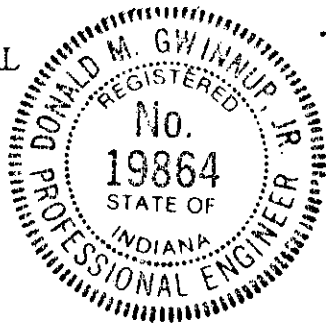
Signature:  Date: February 18, 1997

Type or Print Name: Donald M. Gwinnup, Jr., P.E.

Business Address: 6910 North Shadeland Avenue, Suite 200  
Indianapolis, Indiana 46220

Telephone Number: (317) 577-0069

SEAL



INDIANA REGISTRATION NUMBER

19864

**FILED**

FEB 21 1997



SURVEYOR'S OFFICE

# Hamilton County

*Kenton C. Ward, Surveyor*

*Phone (317) 776-8495*

*Fax (317) 776-9628*

*Suite 146*

*One Hamilton County Square*

*Noblesville, Indiana 46060-2230*

To: Hamilton County Drainage Board

May 14, 1997

Re: Sarah Morgan Drain - Heather Pointe  
Relocation

Attached are as-builts, certificate of completion & compliance, and other information for Sarah Morgan Relocation. An inspection of the drainage facilities for this section has been made and the facilities were found to be complete and acceptable.

During construction, changes were made to the drain which will alter the plans submitted with my report for this drain dated August 22, 1994. The changes are as follows:

Str 24 - Str 31 30" RCP lengthened from 64' feet to 66' feet.

Str 31 - Str 32 30" RCP shortened from 75' feet to 73' feet.

Str 33 - Str 34 30" RCP lengthened from 133' feet to 135' feet.

Str 34 - Str 35 30" RCP shortened from 140' feet to 125' feet.

There was an inlet set on the existing Sarah Morgan Drain at Station 1+40 and from this structure 76' feet of 10" PVC was installed to structure 35.

The length of the drain, including the original 140 feet of drain, and the changes described above is now **1,835 feet**.

The non-enforcement was approved by the Board at its meeting on September 28, 1994 and recorded under instrument #9609608736.

The bond or letter of credit from Amwest Surety Insurance Company, number 022004117 and 022004118, dated May 22, 1195, both in the amount of \$36,000.00, has been recommended for release in a letter to the Commissioners dated May 27, 1997.

I recommend the Board approve the drains construction as complete and acceptable.

Sincerely,

---

Kenton C. Ward,  
Hamilton County Surveyor

KCW/slm

## Asbuilt Structures

Project: Sarah Morgan - Heather Pointe Relocation

Structure:      T.C.:    I.E.:    Pipe:    Length: Original Plans: Difference:

STR 23	—	896.75				
STR 24	805.53	799.15	30"	120'		
STR 24	805.53	799.15				
STR 31	804.99	799.69	30"	66'	FRM 64	+2
STR 31	804.99	799.69				
STR 32	805.18	800.50	30"	73'	FRM 75'	-2
STR 32	805.18	800.50				
STR 33	807.32	801.82	30"	190'		
STR 33	807.32	801.82				
STR 34	807.72	802.62	30"	135'	FRM 122'	+2
STR 34	807.72	802.62				
STR 35	806.94	803.28	30"	125'	FRM 140'	-15
STR 35	806.94	804.98				
Inlet	810.60	807.17	10" PVC	76'		
Twin Pipes	—	789.60				
	—	789.20	48" RCP	190'		

### 6" SSD Streets:


Total: \_\_\_\_\_

### 6" SSD Lots:


Total: \_\_\_\_\_

### RCP Pipe Totals:

30" RCP	709'
48" RCP	190'
10" PVC	76'

<b>Other Drain:</b>	
Open Ditch	720'

Total Length of Drain: \_\_\_\_\_

$$1695' + 140' = 1835'$$

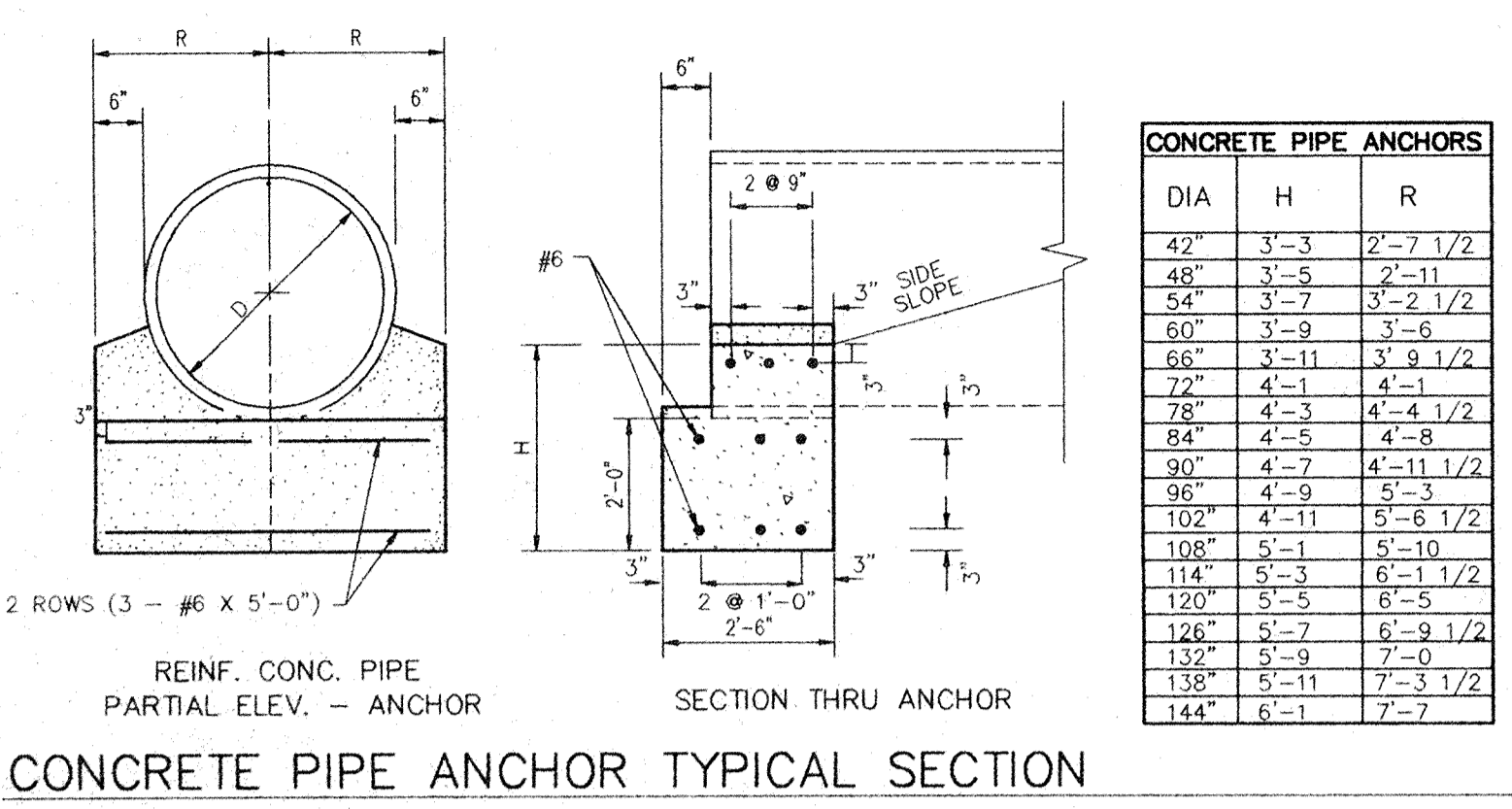
*Original  
Tile*

SITE DETAILS  
HEATHER POINTE - SECTION ONE  
PARCEL 22 - HAMILTON PROPER  
FISHERS, INDIANA

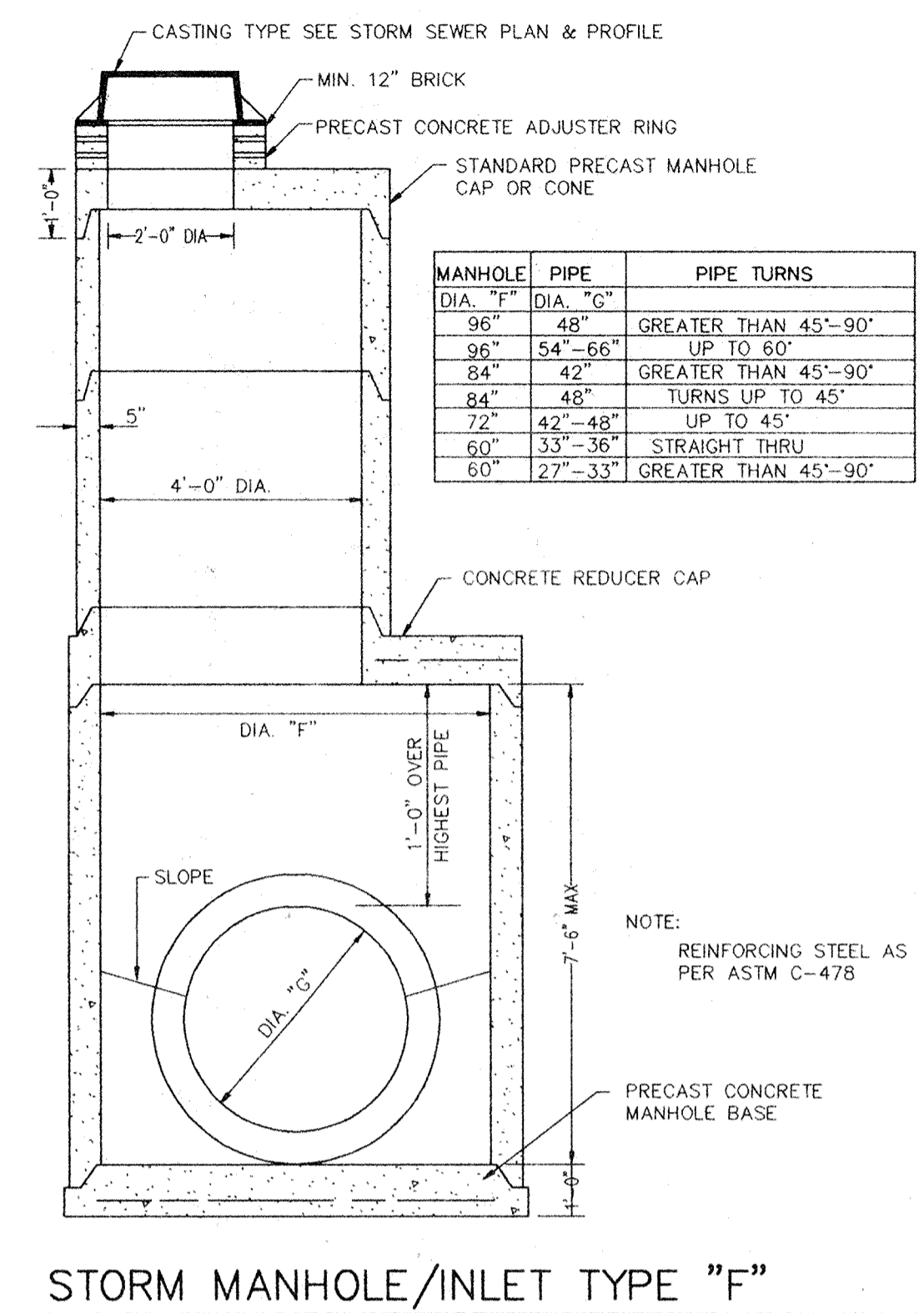
SHEET TITLE: PROJECT NAME: REVISIONS:  
07/06/94 - CLAYMY LAKE OUTLET STRUCTURE DETAIL  
09/09/94 - REV. SEE SHEET 35  
PRINTED  
JAN 20 1997  
MELTON-PACKARD

WILLIAM ROSS HUNT, JR.  
REGISTERED  
No. 17186  
STATE OF INDIANA  
PROFESSIONAL ENGINEER  
H. R. Hunt

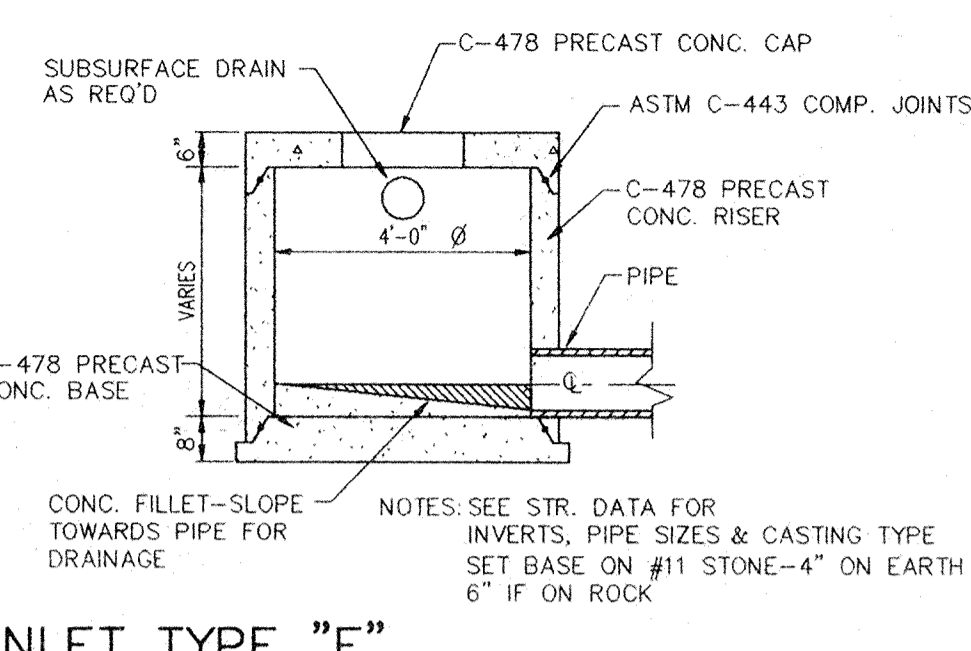
DRAWING: 9316H801  
DATE: 6/01/94  
PROJ. NO.: 9316H  
DRAWN BY: HWR  
SHEET NO.: C801  
DATE: JAN 23 1997  
PROJECT: HEATHER POINTE SUBDIVISION  
SUBJECT: CURB & GUTTER



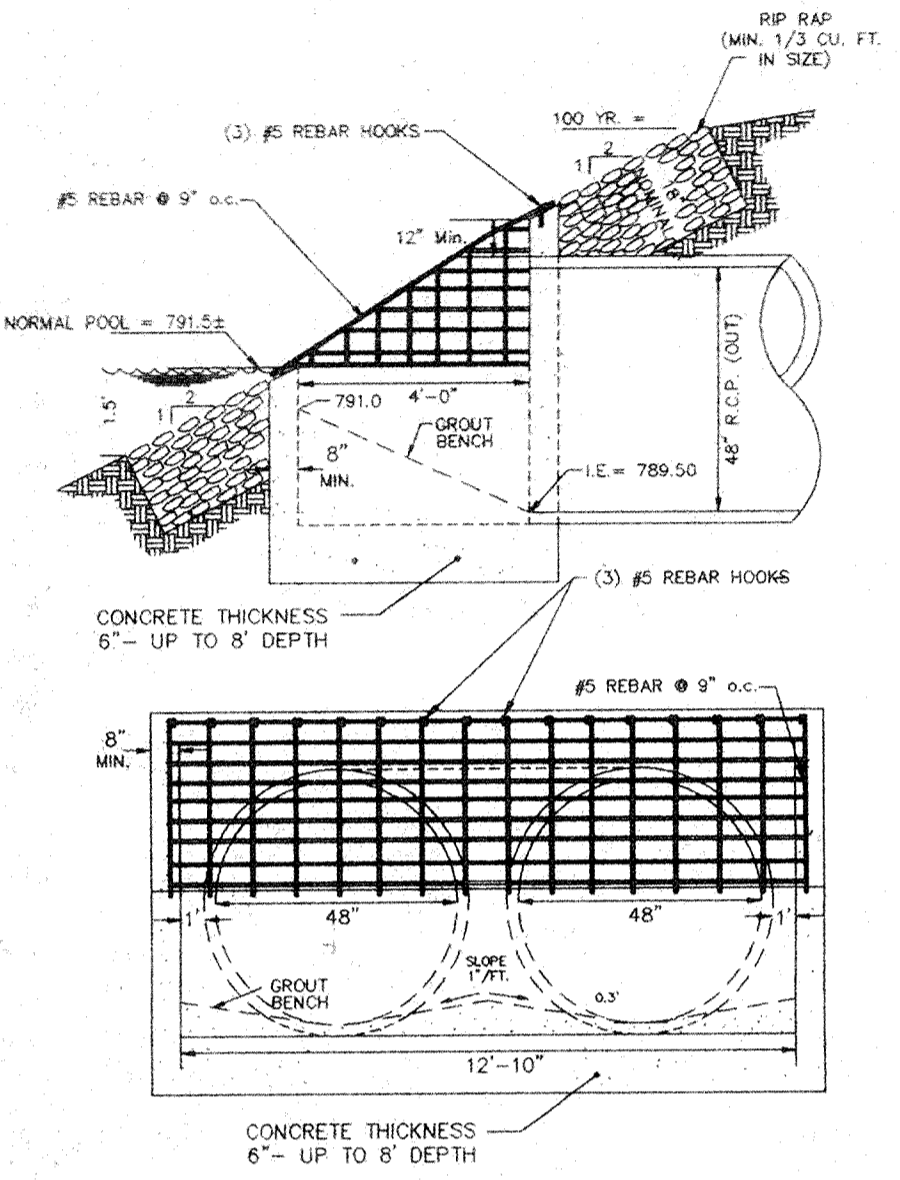
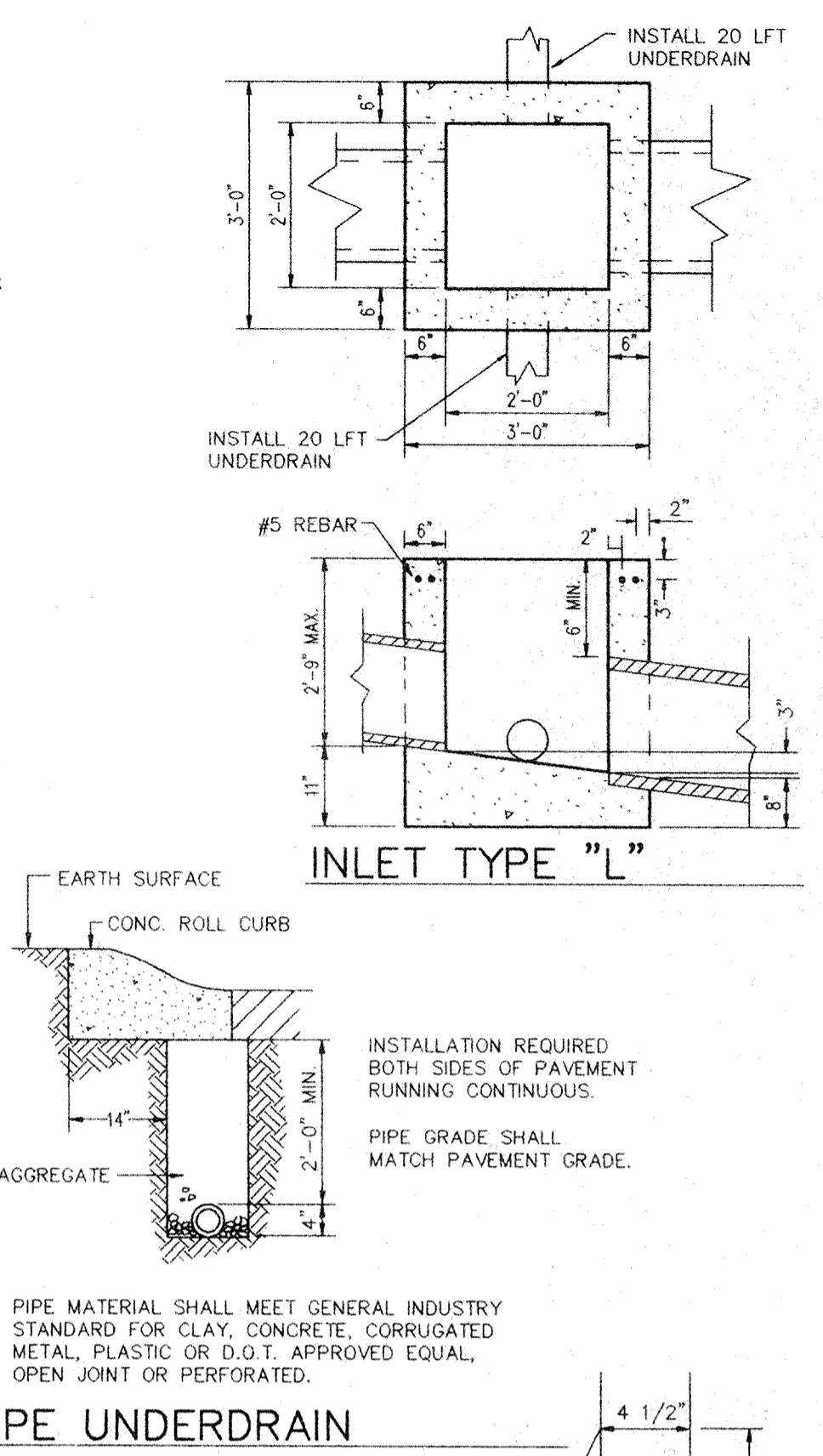
DIA	H	R
42	3'-3"	2'-7 1/2"
48	3'-5"	2'-11"
54	3'-7"	3'-2 1/2"
60	3'-9"	3'-6"
72	4'-1"	4'-1"
78	4'-3"	4'-4 1/2"
84	4'-5"	4'-8"
90	4'-7"	4'-11 1/2"
96	4'-9"	5'-3"
102	4'-11"	5'-6 1/2"
108	5'-1"	6'-10"
114	5'-3"	6'-11 1/2"
120	5'-5"	8'-5"
126	5'-7"	8'-9 1/2"
132	5'-9"	9'-0"
138	5'-11"	9'-3 1/2"
144	6'-1"	9'-7"



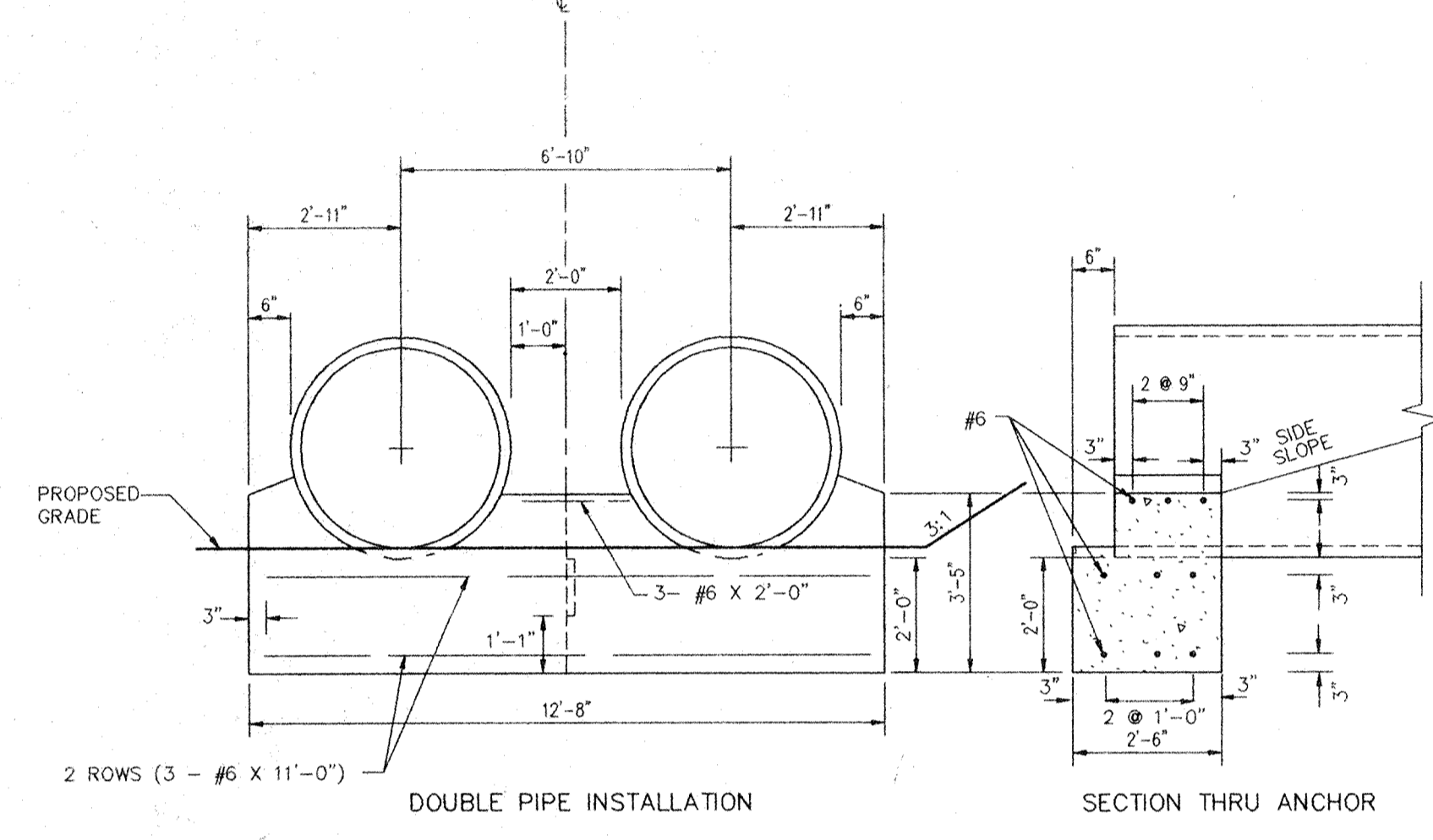
MANHOLE DIA "F"	PIPE DIA "G"	PIPE TURNS
96"	48"	GREATER THAN 45°-90° UP TO 60°
96"	54"-66"	UP TO 60°
84"	42"	GREATER THAN 45°-90°
84"	48"	TURNS UP TO 45°
72"	42"-48"	UP TO 45°
60"	33"-36"	STRAIGHT THRU
60"	27"-33"	GREATER THAN 45°-90°



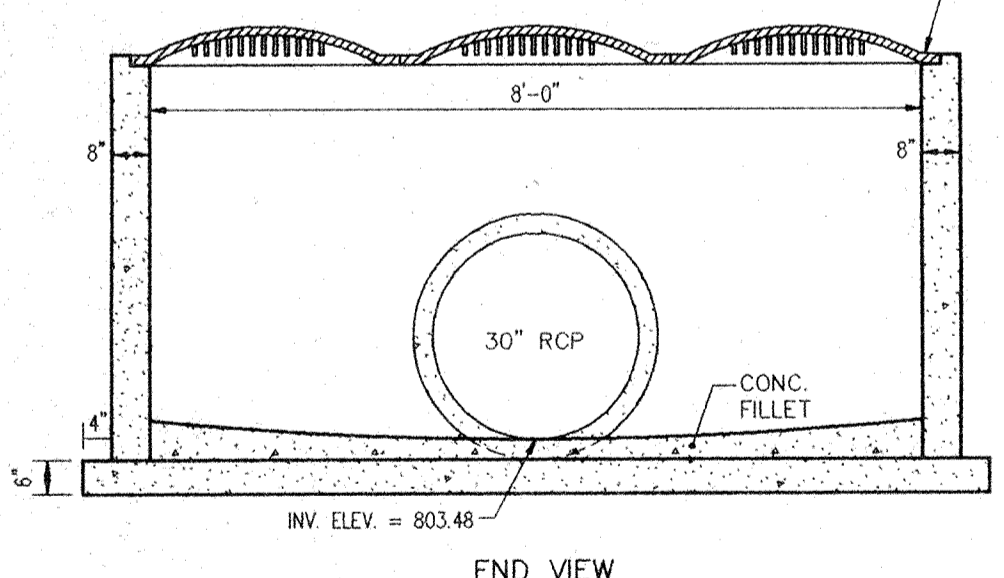
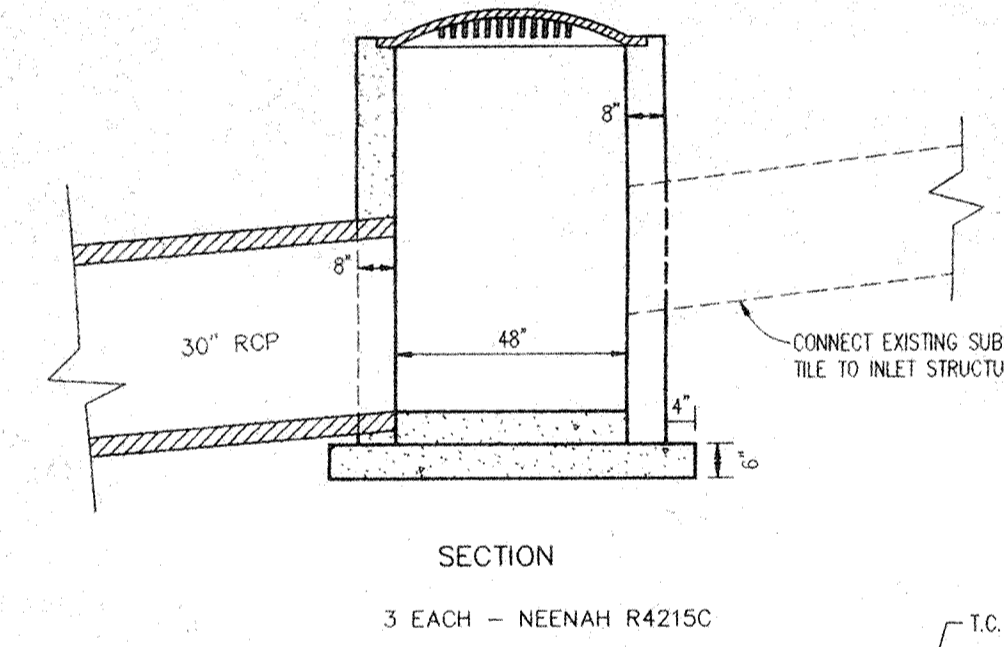
CASTING TABLE	
TYPE	CASTING
1	NEENAH R1772-C
2	NEENAH R3501 TR/TL
3	NEENAH R4342



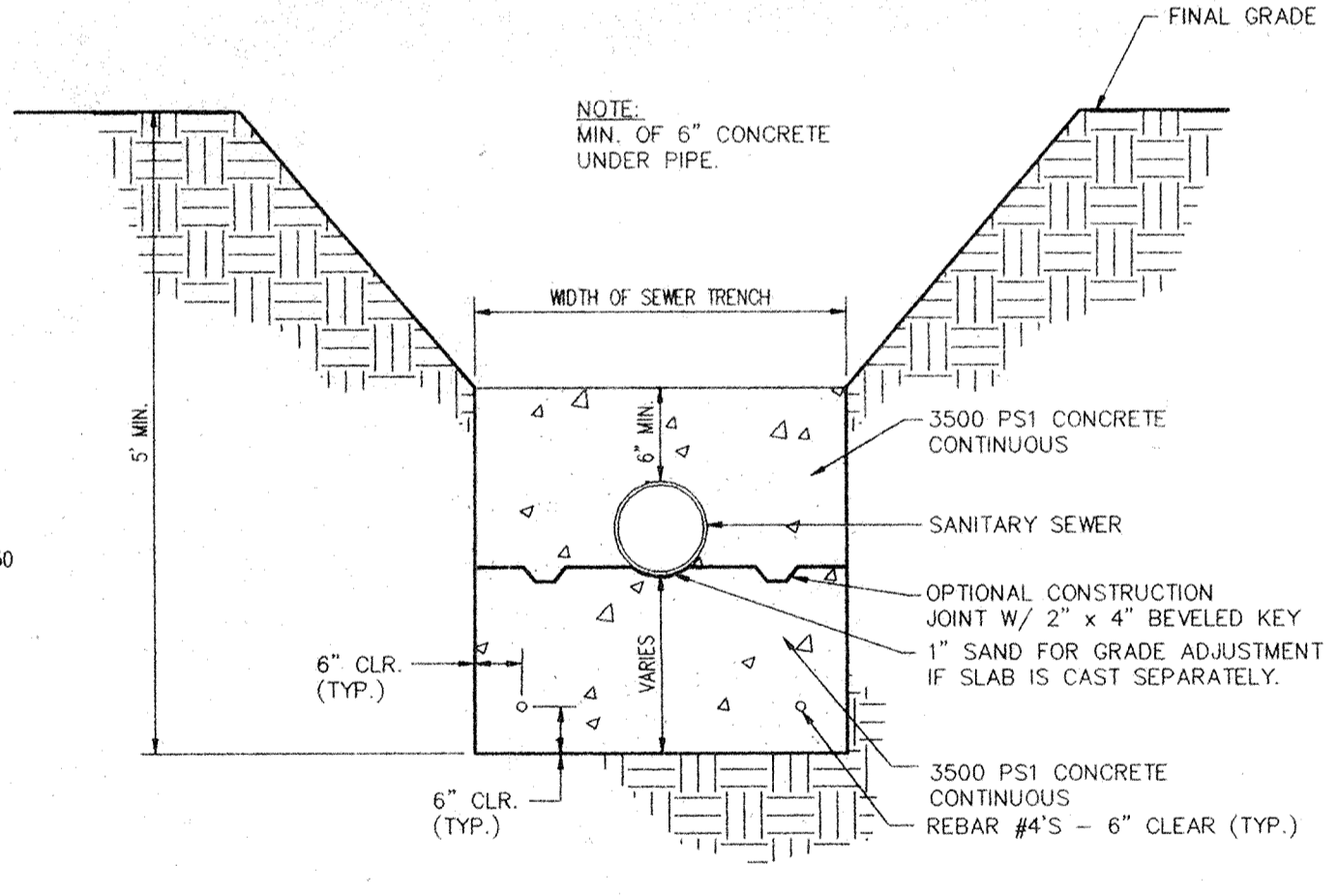
LAKE OUTLET STRUCTURE



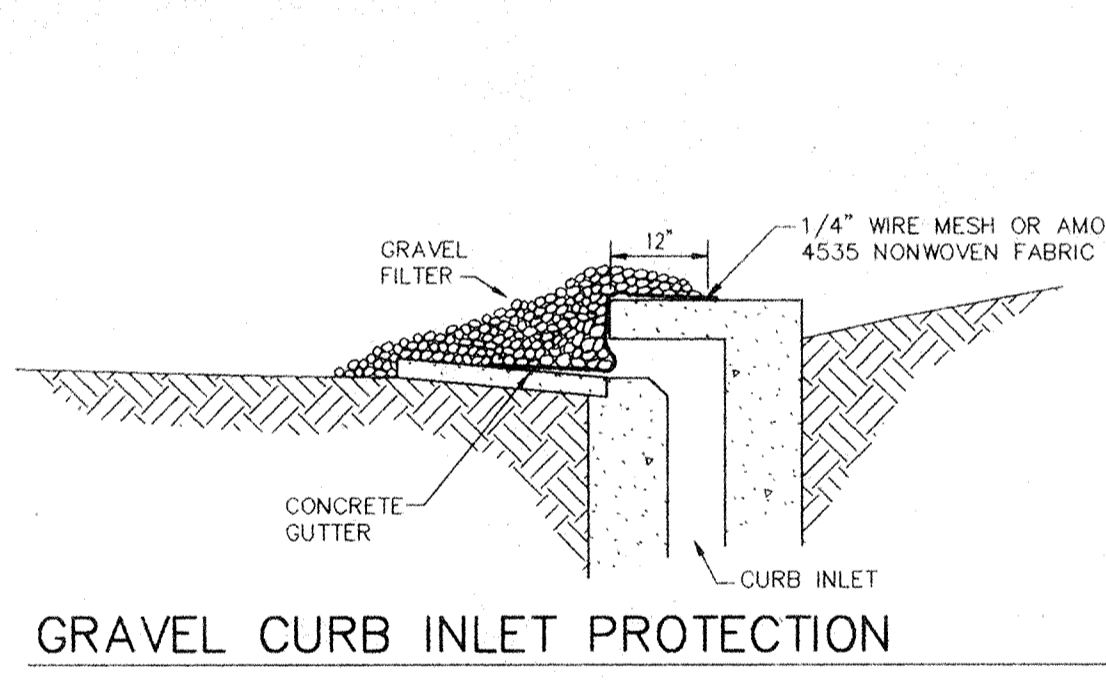
48" RCP CONCRETE PIPE ANCHOR TYPICAL SECTION



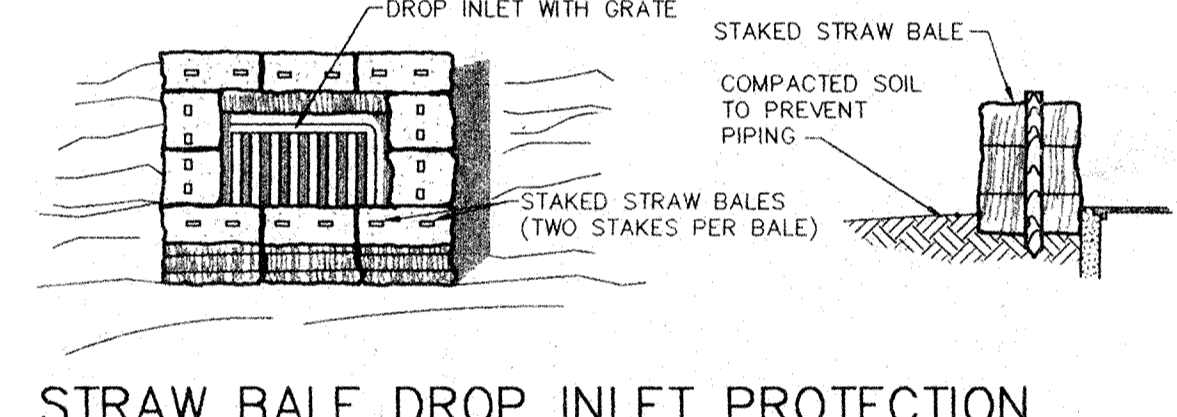
SPECIAL STORM STRUCTURE NO. 35



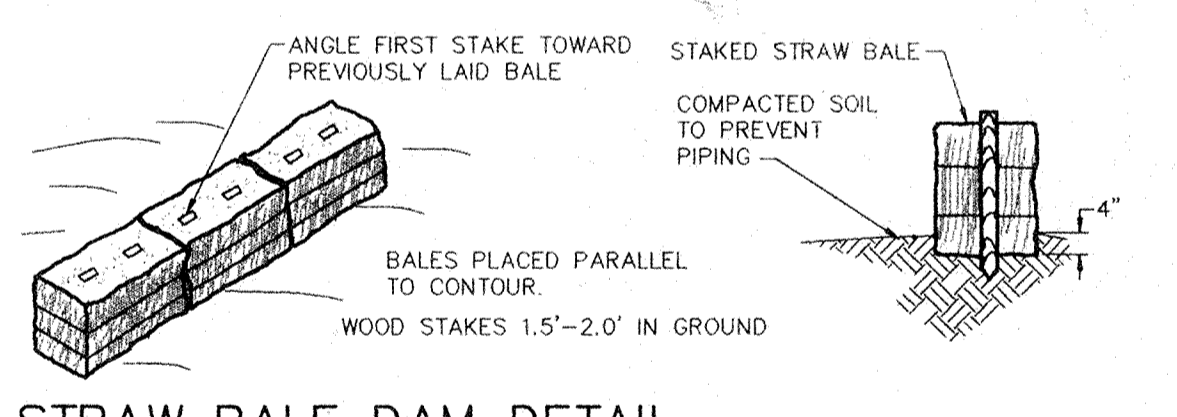
CONCRETE ENCASEMENT OF SANITARY SEWER



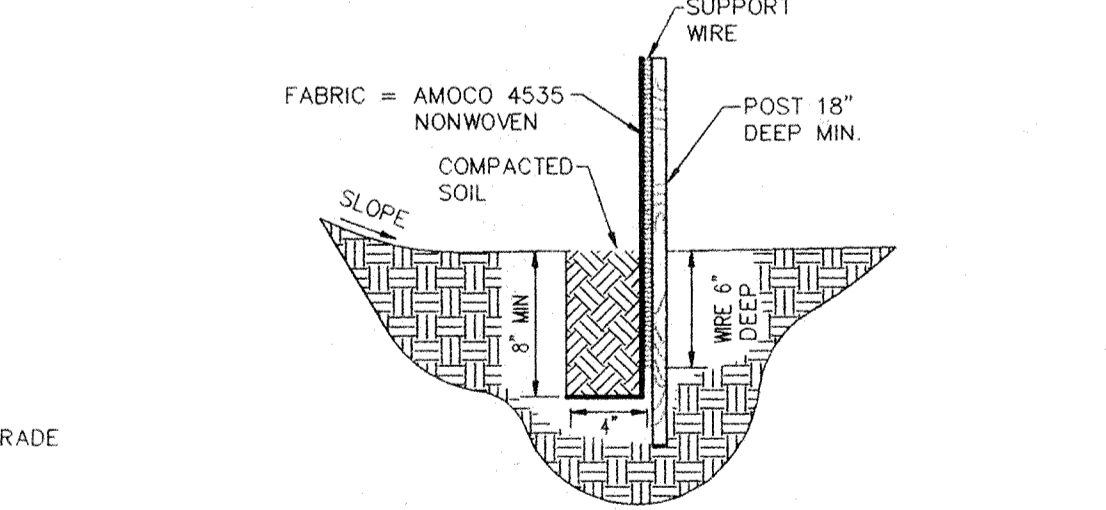
GRAVEL CURB INLET PROTECTION



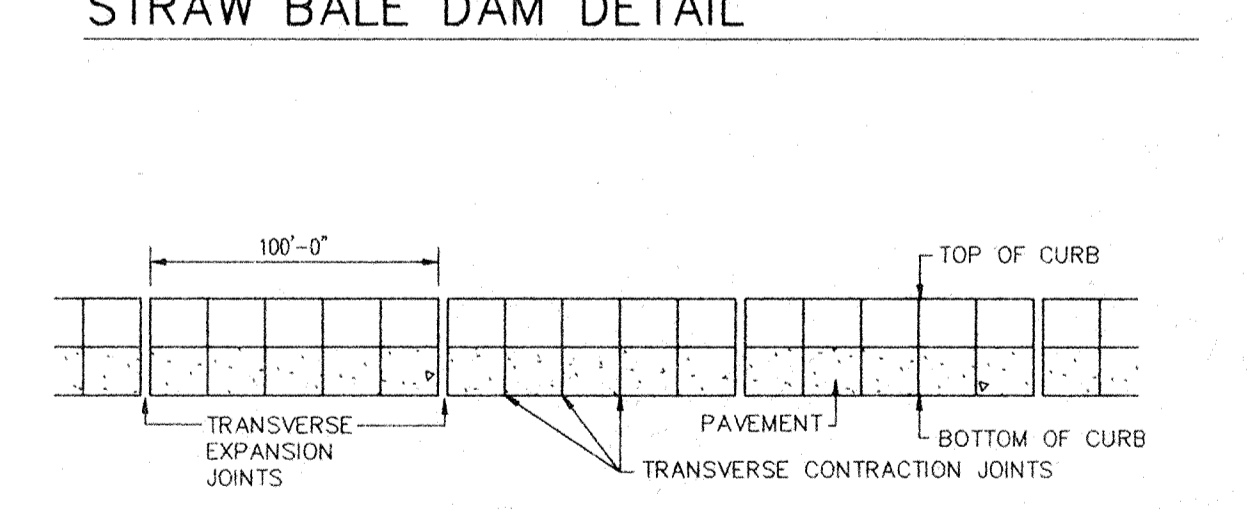
STRAW BALE DROP INLET PROTECTION



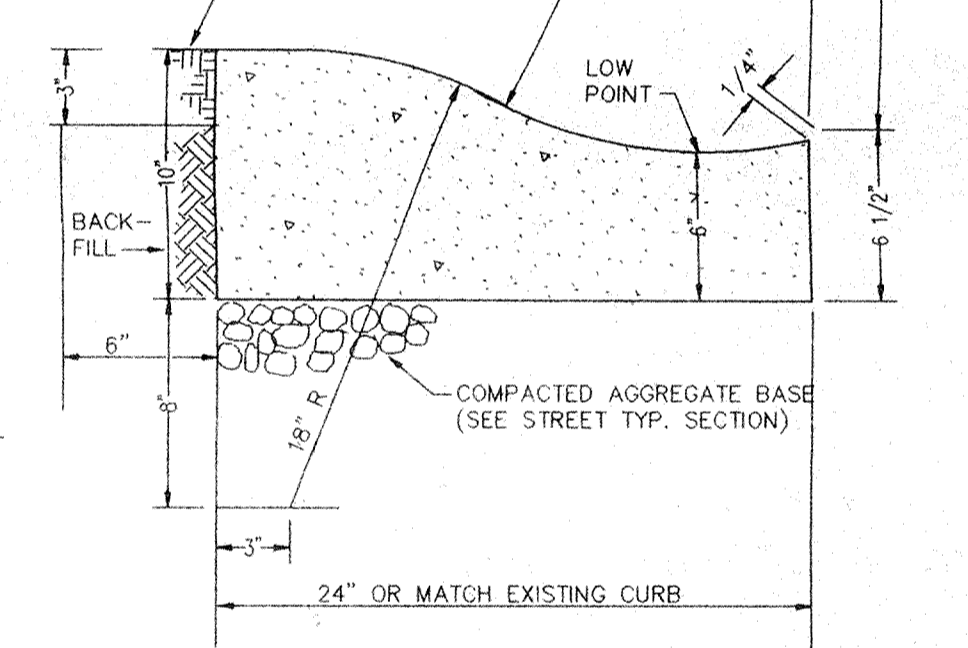
STRAW BALE DAM DETAIL



SEDIMENT CONTROL FENCE

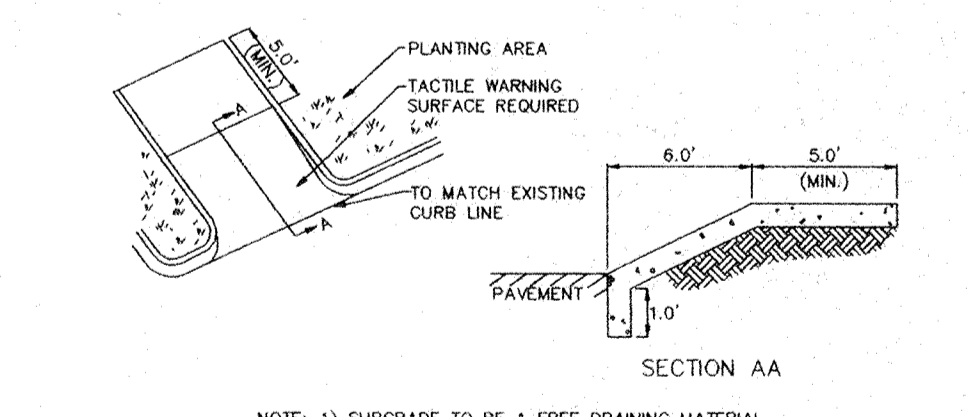


CURB JOINT DETAIL

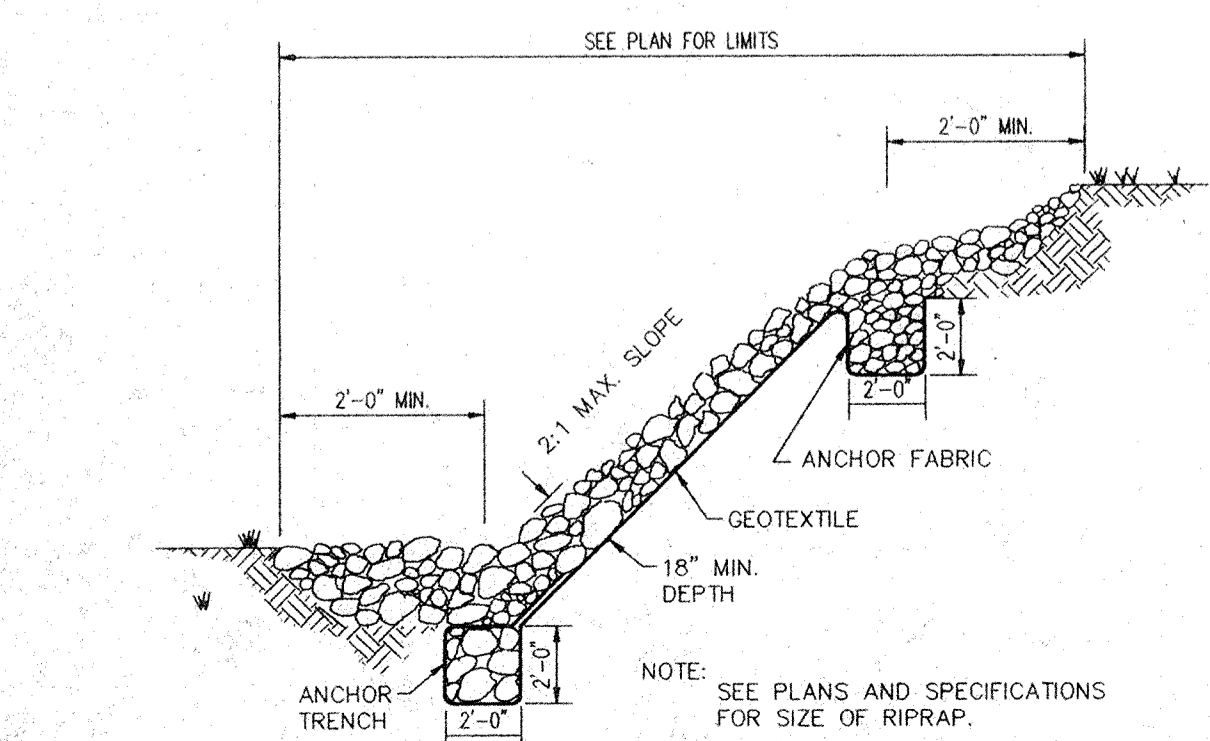


2' CONCRETE ROLL CURB & GUTTER

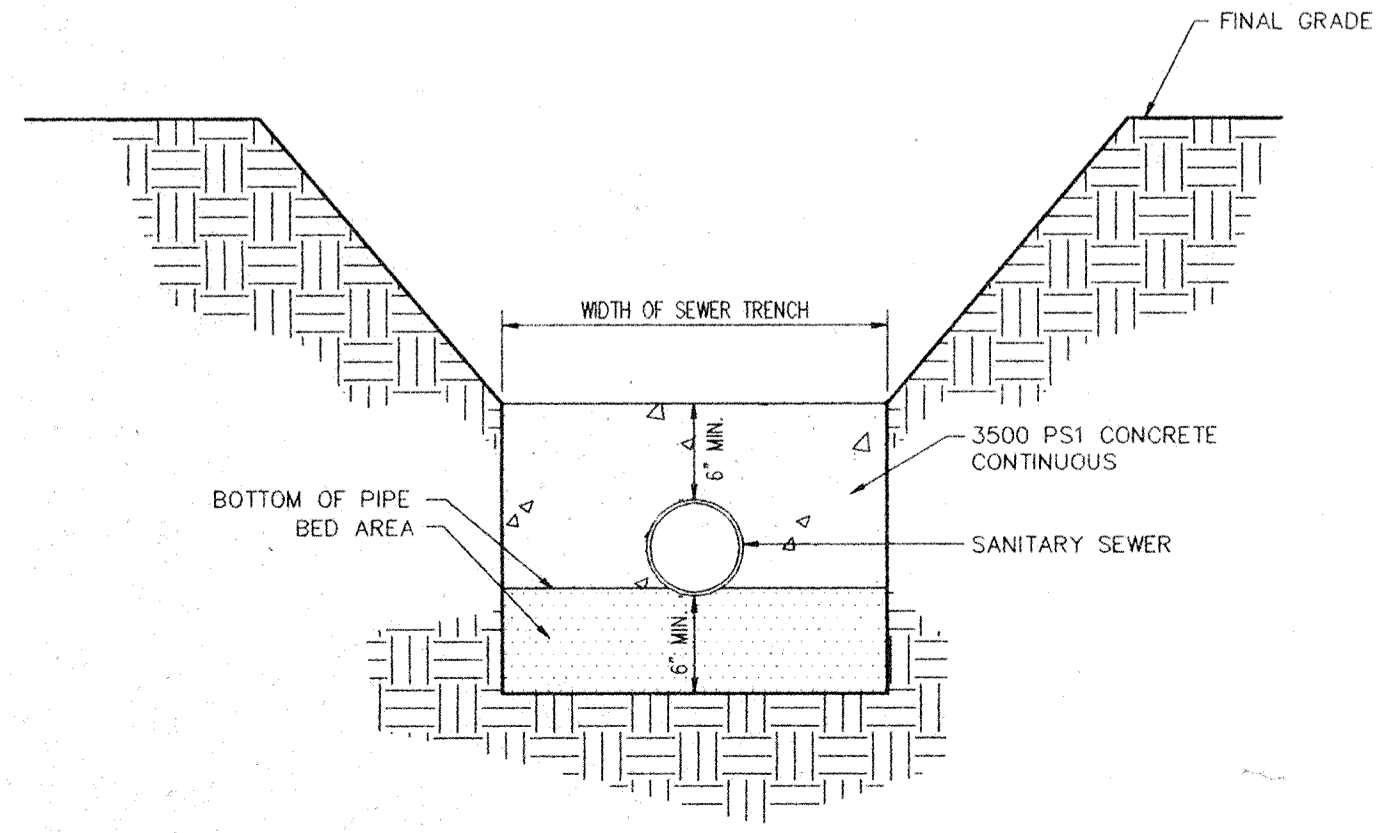
NOTES:  
1. FOR CONSTRUCTION ADJACENT TO CONCRETE PAVEMENT, EXPANSION & CONTRACTION JOINTS SHALL BE PLACED AT THE SAME LOCATIONS AS IN THE PAVEMENT SLAB. THE CURB & GUTTER SHALL BE TIED TO THE PAVEMENT BY 1/2" ROUND DEFORMED BARS AT 3' INTERVALS.  
2. FOR CONSTRUCTION ADJACENT TO ASPHALT PAVEMENT, EXPANSION & CONTRACTION JOINTS SHALL BE PLACED AT THE LOCATIONS AS SHOWN ON JOINT DETAIL.



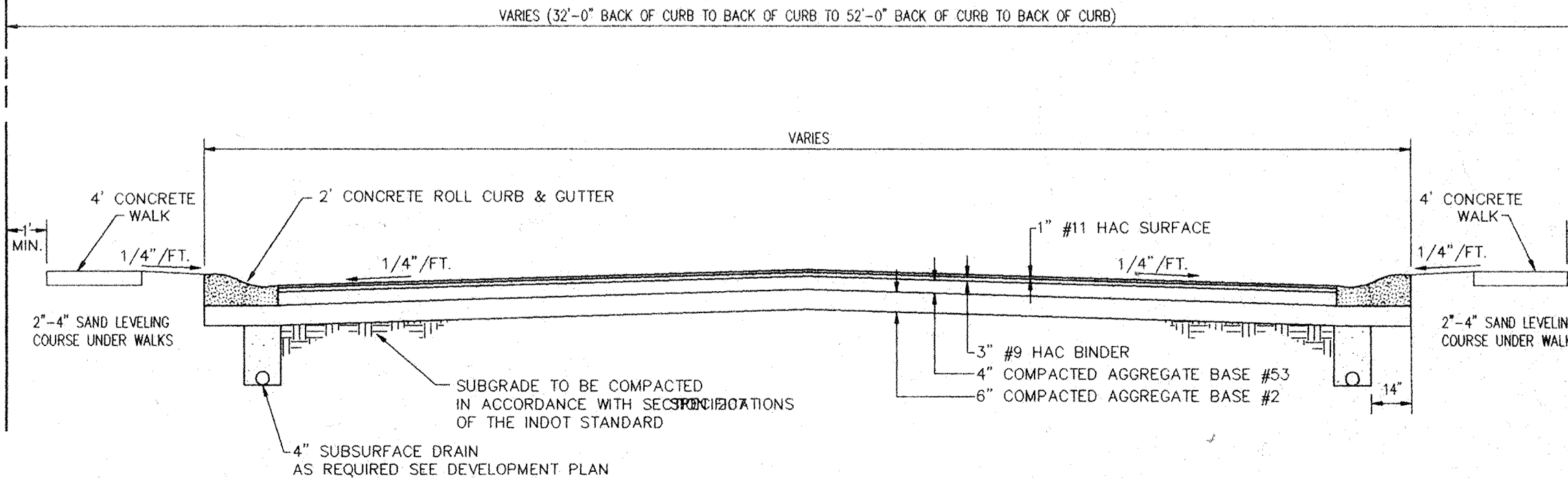
RETURNED CURB HANDICAP RAMP



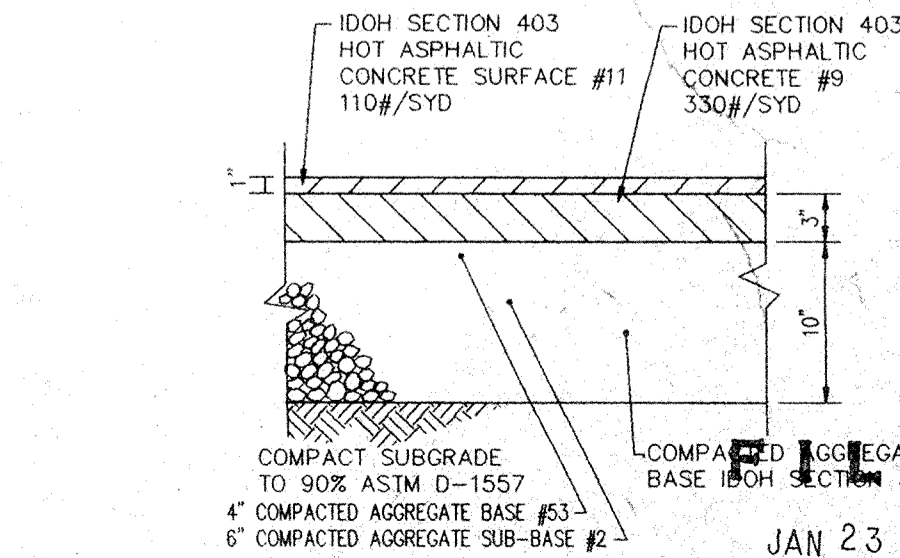
RIPRAP DETAIL



PROTECTIVE CAP OVER SANITARY SEWER



TYPICAL STREET CROSS SECTION



PAVEMENT SECTION

NOTED BY: [Signature]  
DATE: 12/22/93

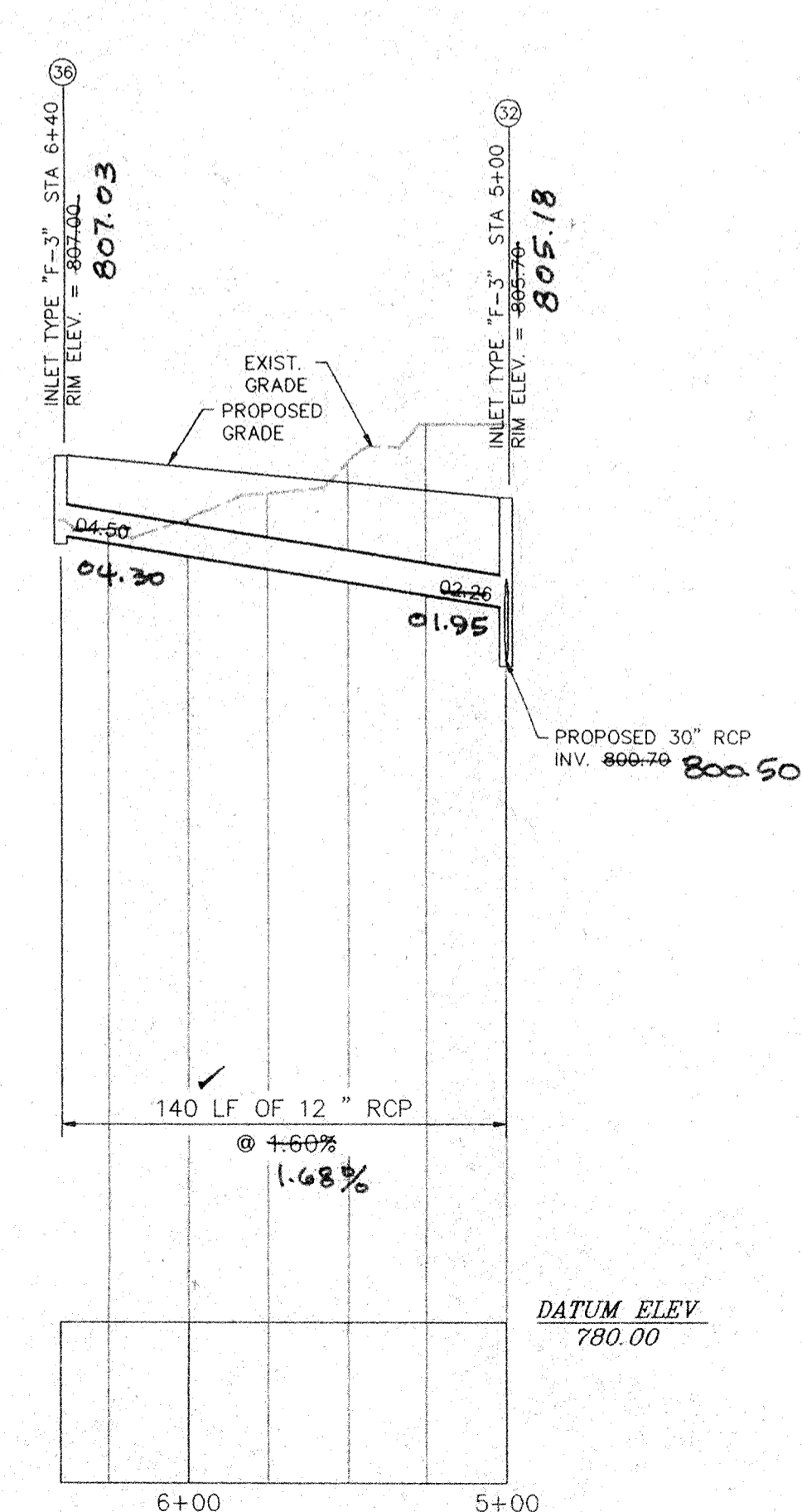
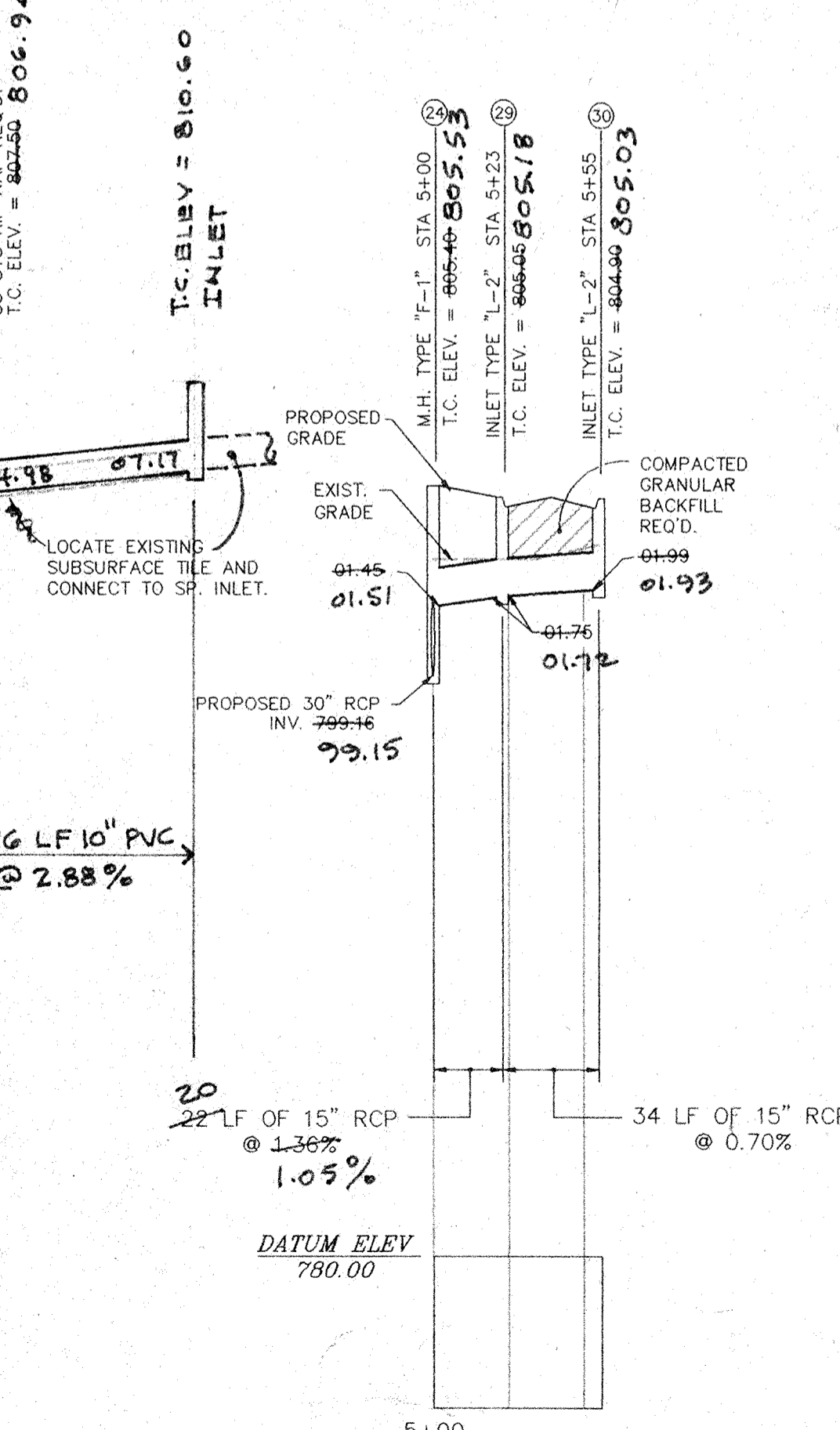
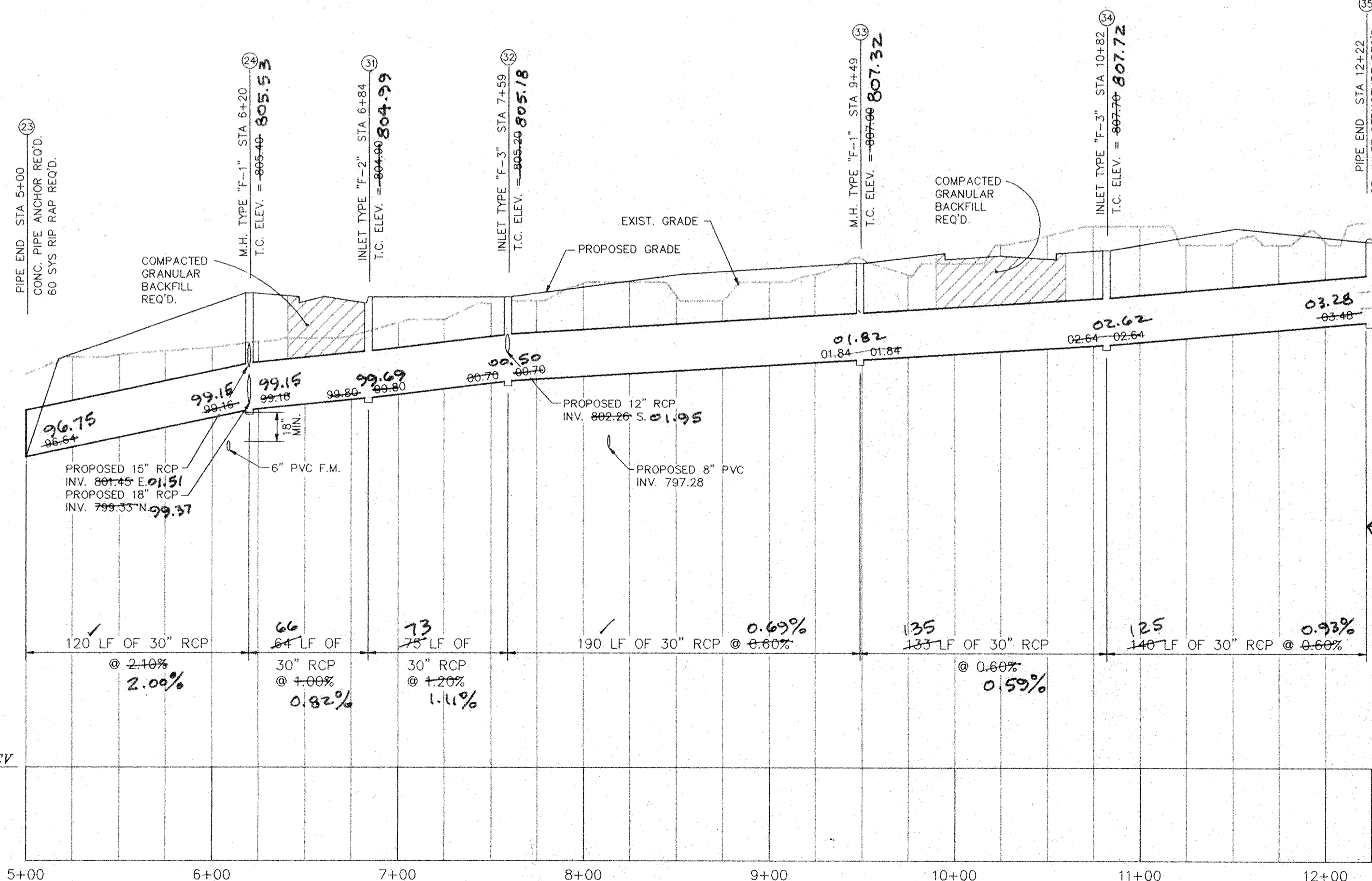
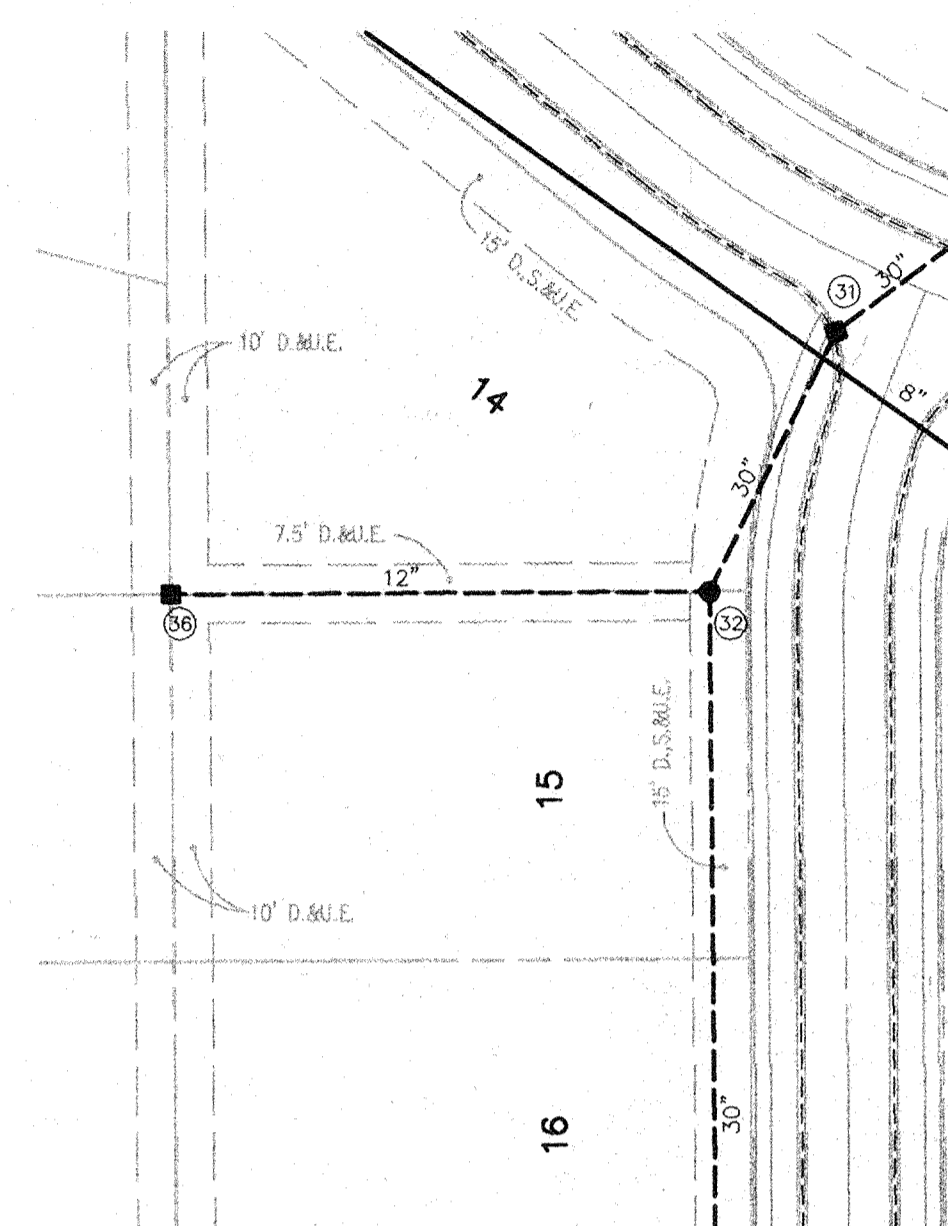
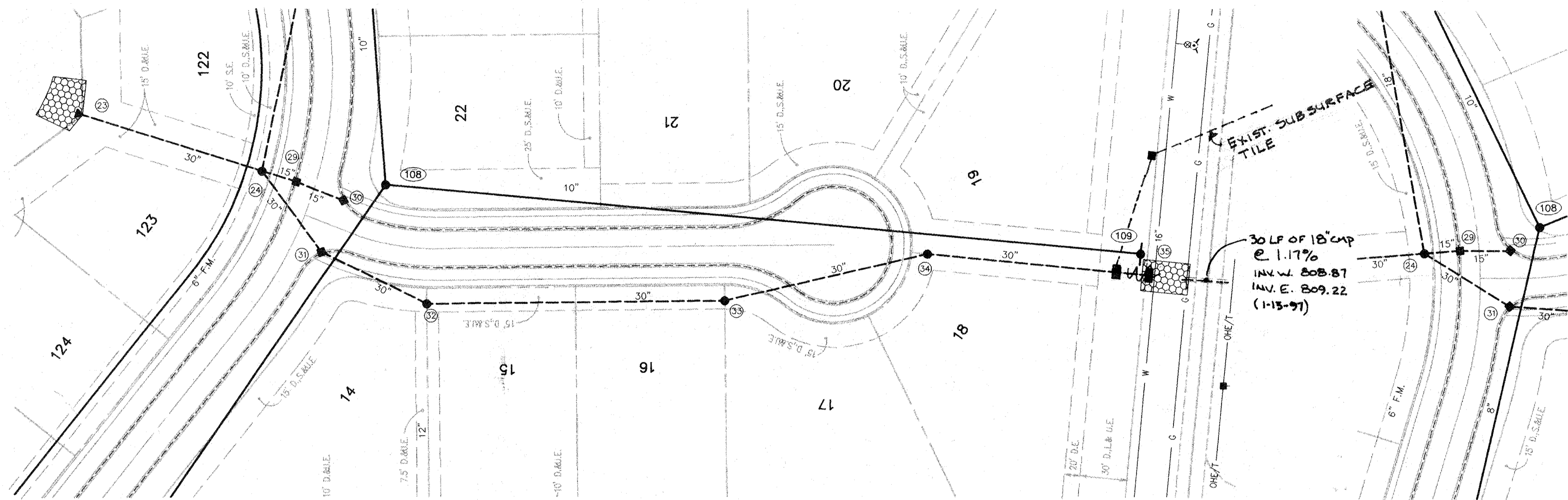
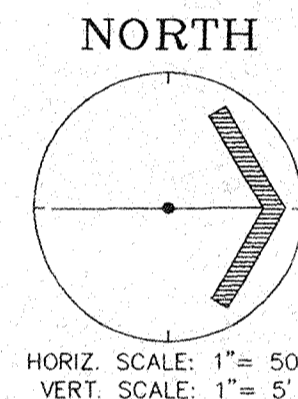
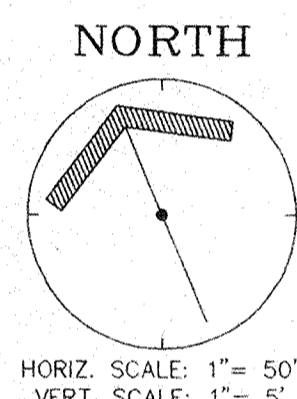
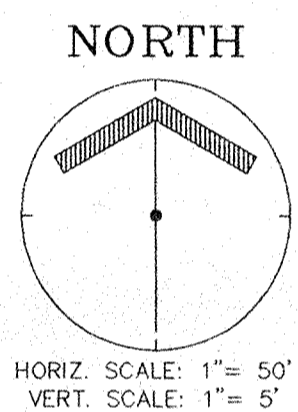
This copy printed from the Digital Archive of the Hamilton County Surveyors Office, 360 Hamilton County Courthouse, 358, Noblesville, IN 46060



This information was gathered for input into the Hamilton County Geographical Information System. This document is considered an official record of the GIS.

Entry Date: 4-22-04

Entered by: JMP



PROVIDED BY: M.P. / 06/01/94  
PLOT DATE: 11/07/95

**STORM SEWER PLAN & PROFILES**  
**HEATHER POINTE - SECTION ONE**  
PARCEL 22 - HAMILTON PROPER  
FISHERS, INDIANA

REVISIONS  
07/06/94 - PER SANSO COMMENTS  
DATE: 06/07/94  
09/09/94 - REV. STR. 35 IN  
PRINTED  
JAN 20 1997  
MELTON-PACKARD

WILLIAM ROSS HUNT, JR.  
REGISTERED  
No. 17186  
STATE OF INDIANA  
PROFESSIONAL ENGINEER

DRAWING: 9316H702  
DATE: 06/01/94  
PROJ. NO.: 9316  
DRAWN BY: JMP

SHEET NO.:  
**C702**  
TUBE FILE #

**FILED**  
JAN 23 1997  
OFFICE OF HAMILTON COUNTY SURVEYOR

**"AS-BUILT" 11-07-95**

**MPA**  
MELTON-PACKARD & ASSOCIATES  
Civil Engineers • Land Surveyors  
6910 N. Shadeland Avenue • Indianapolis, Indiana 46220 • (317) 577-0069

GENERAL NOTES

- 1. REFER TO THE INDIANA DEPARTMENT OF TRANSPORTATION (INDOT) STANDARD SPECIFICATIONS, 1993 EDITION, FOR BASIC MATERIALS AND CONSTRUCTION METHODS. THE SECTIONS BELOW FOR VARIOUS ITEMS ARE TO CLARIFY THE INTENT OF THE REQUIREMENTS FOR THIS PROJECT. PLEASE NOTE THAT OTHER SECTIONS OF THE INDOT STANDARD SPECIFICATIONS MAY ALSO BE APPLICABLE.
2. CONTRACTORS SHALL CHECK WITH ENGINEER PRIOR TO START OF CONSTRUCTION TO VERIFY DATE OF PLANS. MINOR CHANGES MAY BE MADE IF ALL REVIEWING AGENCY APPROVALS ARE NOT GRANTED BEFORE BIDDING. CHANGES IN COST SHALL BE NEGOTIATED PRIOR TO PHYSICAL CONSTRUCTION AND BASED ON UNIT PRICES SUBMITTED ON THE CONTRACT.
3. CONTRACTORS SHALL CONTACT ALL UTILITY COMPANIES TO LOCATE ALL MAINS, CONDUITS, SERVICE LINES, ETC. IN THE AFFECTED CONSTRUCTION AREA. EXISTING UTILITY STRUCTURES ARE SHOWN HERE IN ACCORDANCE WITH AVAILABLE INFORMATION. THE LOCATION AND PROTECTION OF UTILITY STRUCTURES AND FACILITIES, THEIR SUPPORT AND MAINTENANCE DURING CONSTRUCTION (IN COOPERATION WITH APPLICABLE UTILITY), IS THE EXPRESSED RESPONSIBILITY OF THE CONTRACTOR IN THE PERFORMANCE OF THE CONTRACT AND IN PREPARATION OF THE BID.
4. BACKFILL AROUND ALL STRUCTURES AND IN ALL TRENCHES BENEATH PAVED AREAS SHALL BE COMPACTED GRANULAR MATERIAL IN ACCORDANCE WITH INDOT SECTION 211.
5. FILL MATERIAL SHALL CONSIST OF EARTH OBTAINED FROM CUT AREAS, BORROW PITS OR OTHER APPROVED SOURCES. EARTH SHALL BE FREE FROM ORGANIC MATTER AND OTHER DELETERIOUS SUBSTANCES AND LARGE ROCKS. THE FILL MATERIAL SHALL BE PLACED IN LAYERS NOT TO EXCEED SIX INCHES FOLLOWING COMPACTION, PROPER MOISTURE CONTENT OF FILL MATERIAL WILL BE SUCH TO ACHIEVE SPECIFIED COMPACTION DENSITY. ALL FILL BENEATH PAVED AREAS, FLOOR SLABS AND FUTURE BUILDINGS SHALL BE COMPACTED TO AT LEAST 95% OF THE MAXIMUM DRY DENSITY PER ASTM D-1557. FIELD COMPACTION TEST SHALL BE RUN ON EACH LIFT, IN FILL SECTIONS, AND THE REQUIRED COMPACTION ON EACH LIFT SHALL BE ATTAINED PRIOR TO PLACING THE NEXT LIFT. COMPACTION TESTS SHALL BE IN ACCORDANCE WITH INDOT SECTION 211.

CLEARING AND GRUBBING

- 1. CLEARING AND GRUBBING SHALL CONSIST OF CUTTING, REMOVING AND SATISFACTORY DISPOSING OF ALL TREES, DOWNED TIMBER, BRUSH, PROJECTING ROOTS, STUMPS, RUBBISH, BOULDERS, BROKEN CONCRETE, FENCING (AS DESIGNATED), AND OTHER MATERIAL ON THE PROJECT SITE AND WITHIN THE BOUNDARY AS SHOWN ON THE CONSTRUCTION DOCUMENTS AND/OR AS DESIGNATED BY "CONSTRUCTION LIMITS".
2. ALL "UNSUITABLE MATERIAL" FROM CLEARING OPERATIONS SHALL BE REMOVED TO DISPOSAL AREA(S) OFF OF THE PROJECT SITE; UNLESS A "BURY PIT" SHALL BE LOCATED WHERE IMPOUNDMENT OF SURFACE WATER MAY OCCUR.
3. MATERIALS SHALL NOT BE DISPOSED OF BY BURNING UNLESS APPROVED BY THE LOCAL FIRE MARSHAL.

TREE REMOVAL AND PROTECTION

- 1. TREES SHALL BE REMOVED FROM THE PROJECT ONLY WHERE THE AREA IS TO BE OCCUPIED BY ROAD AND SURFACED AREAS.
2. TREES SHALL BE REMOVED FROM THE PROJECT SITE AS DIRECTED BY THE DEVELOPER.
3. TREES SHALL BE REMOVED FROM THE PROJECT SITE WHERE THEY INTERFERE DIRECTLY WITH THE PLACEMENT OF STORM OR SANITARY SEWERS, AND THAT SUCH EXCAVATION IS OR WILL BE FATAL TO SUCH ADJACENT TREES.
4. THE CONTRACTOR SHALL ENDEAVOR TO SAVE AND PROTECT TREES OF VALUE AND WORTH WHICH DO NOT IMPAIR CONSTRUCTION OF IMPROVEMENTS AS DESIGNATED. IN THE EVENT CUT OR FILL EXCEEDS 0.5 FEET OVER THE ROOT AREA, THE DEVELOPER SHALL BE CONSULTED WITH RESPECT TO PROTECTIVE MEASURES TO BE TAKEN, IF ANY, TO PRESERVE SUCH TREES.
5. THE CONTRACTOR SHALL BE RESPONSIBLE FOR DETERMINING THE METHOD FOR PROTECTION OF TOPS, TRUNKS AND ROOTS OF EXISTING TREES ON THE PROJECT SITE THAT ARE TO REMAIN. EXISTING TREES SUBJECT TO CONSTRUCTION DAMAGE SHALL BE BOXED, FENCED OR OTHER MATERIAL AND EQUIPMENT SHALL NOT BE STOCKPILED OR STORED WITHIN THE SPREAD OF BRANCHES. BRANCHES WHICH NEED TO BE REMOVED OR ARE BROKEN SHALL BE NEATLY TRIMMED AND SCARS SHALL BE COVERED WITH TREE PAINT.

STRIPPING OF TOPSOIL

- 1. THE CONTRACTOR SHALL VERIFY THAT ALL TOPSOIL HAS BEEN REMOVED IN THE AREAS TO BE OCCUPIED BY ROAD, WALKS AND DESIGNATED BUILDING AREAS. TOPSOIL SHALL BE REMOVED TO A DEPTH OF SIX (6) INCHES OR DEEPER, IF NECESSARY, TO REMOVE ORGANIC MATTER WHERE REQUIRED.
2. TOPSOIL SHALL BE KEPT SEPARATED FROM SUITABLE FILL MATERIALS AND SHALL NOT BE USED AS FILL UNDER PAVEMENT, BUILDING AREAS AND/OR FUTURE STRUCTURAL AREAS.
3. TOPSOIL SHALL BE STORED AT A LOCATION WHERE IT DOES NOT INTERFERE WITH CONSTRUCTION OPERATIONS. EXCESS TOPSOIL SHALL BE REMOVED FROM THE SITE.
4. TOPSOIL SHALL BE REASONABLY FREE FROM SUBSOIL DEBRIS AND STONES.

PAVEMENT CONSTRUCTION

- 1. THE TOWN OF FISHERS THOROUGHFARE PLAN ORDINANCE AND SUBDIVISION CONTROL ORDINANCE SHALL APPLY TO WORKMANSHIP AND MATERIALS IN CONSTRUCTION OF SUBGRADE, PAVEMENT, CURBS AND WALKS.
a. PREPARE THE SUBGRADE IN ACCORDANCE WITH INDOT SECTION 207. NO TRAFFIC WILL BE PERMITTED ON THE PREPARED SUBGRADE PRIOR TO PAVING.
b. BITUMINOUS PAVEMENT IN ACCORDANCE WITH INDOT SECTION 403.
c. FINISHING EARTH GRADED SHOULDERS, DITCHES AND SLOPES IN ACCORDANCE WITH INDOT SECTION 208.

CONCRETE CURB AND WALKS

- 1. SEE DETAIL SHEET FOR TYPE AND DETAILS.
2. CONCRETE SHALL BE READY MIXED PORTLAND CEMENT CONFORMING TO A.S.T.M. C-150, AND WATER. AGGREGATES SHALL CONFORM TO A.S.T.M. C-33. COMPRESSIVE STRENGTH OF CONCRETE AT 28 DAYS SHALL BE 4000 P.S.I. WHERE REQUIRED, REINFORCEMENT SHALL BE WELDED STEEL WIRE FABRIC CONFORMING TO A.S.T.M. A-185.
4. ALL EXTERIOR CONCRETE SHALL CONTAIN 3% TO 6% AIR ENTRAINMENT.
3. APPLICATION
a. PLACE CONCRETE ONLY ON A MOIST, COMPACT SUBGRADE OR BASE FREE FROM LOOSE MATERIAL. PLACE NO CONCRETE ON MUDDY OR FROZEN SUBGRADE IN ACCORDANCE WITH INDOT SECTION 604 AND 605.
b. CONCRETE SHALL BE DEPOSITED SO AS TO REQUIRE AS LITTLE REHANDLING AS PRACTICAL. WHEN CONCRETE IS TO BE PLACED AT AN ATMOSPHERIC TEMPERATURE OF 35 DEGREES F OR LESS, PARAGRAPH 702.10 OF THE I.S.H.C. SPECIFICATIONS SHALL APPLY.
c. EXCEPT AS OTHERWISE SPECIFIED, CURE ALL CONCRETE BY ONE OF THE METHODS DESCRIBED IN INDOT SECTION 501.17.
4. TOP OF CASTING ELEVATIONS REFER TO THE CASTING'S RIM OR TOP OF CURB. THE CURB CONTRACTOR SHALL INSURE THAT CURB INLET CASTINGS ARE SET AT PROPER ELEVATION PRIOR TO CONSTRUCTION OF ADJACENT CURB.

DEMOLITION

- 1. THE CONTRACTOR SHALL EXCAVATE, DEMOLISH, REMOVE AND DISPOSE OF THE DEBRIS FROM THE AREAS SHOWN ON THE SITE DEVELOPMENT PLAN.
a. BUILDING WALLS.
b. FOUNDATIONS.
c. PAVEMENT (CONCRETE, ASPHALT AND BRICK).
d. CONCRETE SLABS.
2. ALL MATERIAL AS A RESULT OF THE GENERAL DEMOLITION SHALL BE THE PROPERTY OF THE CONTRACTOR. THE CONTRACTOR'S LUMP SUM BID PRICE FOR THE DEMOLITION SHALL TAKE INTO ACCOUNT THE SALVAGEABLE VALUE OF MATERIALS AND SAID BID PRICE SHALL REFLECT SAID SAVINGS.
3. THE CONTRACTOR SHALL BE REQUIRED TO DEMOLISH AND REMOVE DESIGNATED FOUNDATION WALLS, RETAINING WALLS, CURBING, CONCRETE SLABS, PAVING, TANKS, STRUCTURES, PIPES, MANHOLES AS SHOWN ON THE CONTRACT DOCUMENTS. ALL EXISTING BASEMENT FLOOR SLABS THAT ARE NOT REMOVED SHALL BE BROKEN UP SUFFICIENTLY TO PERMIT DRAINAGE THROUGH THE SLAB. ALL EXISTING BASEMENT WALLS, FOUNDATIONS, FLOOR SLABS, AND ETC. SHALL BE REMOVED TO AN ELEVATION SUCH THAT THEY WILL NOT SUPPORT PROPOSED FLOOR SLABS OR PAVEMENTS.
4. THE CONTRACTOR SHALL OBTAIN FROM THE TOWN OF FISHERS, AND ALL OTHER APPLICABLE GOVERNMENTAL AUTHORITIES, NECESSARY PERMITS REQUIRED, A COPY OF SUCH PERMITS TO BE FURNISHED TO THE OWNER PRIOR TO COMMENCEMENT OF ANY WORK REQUIRED HEREIN. THE CONTRACTOR SHALL FURTHER FURNISH TO THE OWNER PROOF THAT HE HAS COMPLIED WITH THE PROVISIONS OF THE MUNICIPAL CODE OF FISHERS, INDIANA.

UTILITIES

- 1. ALL WATER LINES FROM INDIANAPOLIS WATER CO. MAIN TO ANY BUILDING SHALL BE INSTALLED OF MATERIAL AND WORKMANSHIP AS APPROVED WITH THE INDIANAPOLIS WATER CO.
2. CONDUIT SHALL BE REQUIRED FOR ALL ELECTRICAL AND TELEPHONE LINES UNDER PAVED AREAS.
3. COMPACTED GRANULAR BACKFILL SHALL BE REQUIRED FOR ALL CROSSINGS OF PAVED AREAS PER TOWN OF FISHERS.

SANITARY SEWER SPECIFICATIONS

SANITARY SEWERS SHALL BE CONSTRUCTED IN ACCORDANCE WITH THE STANDARD SPECIFICATIONS FOR SEWER CONSTRUCTION AS ADOPTED BY HAMILTON SOUTHEASTERN UTILITIES, INC.

STORM SEWER SPECIFICATIONS

- 1. STANDARD SPECIFICATIONS OF THE TOWN OF FISHERS AND INDIANA DEPARTMENT OF TRANSPORTATION SHALL APPLY FOR ALL WORK AND MATERIALS. PIPE SHALL BE INSTALLED IN ACCORDANCE WITH INDOT SECTION 715.
2. ALL REINFORCED CONCRETE STORM SEWER PIPE (RCP) SHALL CONFORM TO ASTM DESIGNATION C-76 CLASS III. ALL HELICALLY CORRUGATED STEEL PIPE (HCSP) SHALL BE ALUMINIZED AND SHALL CONFORM AASHO M36, 16 GAUGE IN ACCORDANCE WITH INDOT SECTION 907.
3. BACKFILL AROUND ALL STRUCTURES AND CUTS UNDER PAVED AREAS WITH COMPACTED GRANULAR MATERIAL IN ACCORDANCE WITH INDOT SECTION 21.1 AND 715.
4. SEE STANDARD DETAIL SHEET FOR CONSTRUCTION DIMENSIONS OF STORM STRUCTURES, MANHOLE, INLETS AND CATCH BASINS SHALL BE IN ACCORDANCE WITH INDOT SECTION 720. PRECAST CONCRETE AND STEEL FOR MANHOLES AND INLETS SHALL BE IN ACCORDANCE WITH ASTM C-478.
5. STORM SEWER DISCHARGE AREAS AND INVERTS ARE TENTATIVE AND ARE SUBJECT TO FIELD MODIFICATIONS BY THE ENGINEER OR HIS REPRESENTATIVE. THE CONTRACTOR WILL BE REIMBURSED FOR ANY ADDITIONAL LABOR AND MATERIALS NECESSARY TO COMPLETE ANY MODIFICATIONS ACCORDING TO THE UNIT PRICES SUBMITTED BY THE CONTRACTOR OR THE CONTRACT AMOUNT.
6. THE CONTRACTOR SHALL PROVIDE AT LEAST 2' OF COVER OVER ALL STORM SEWERS, UNLESS OTHERWISE INDICATED BY PLANS.
7. RIP RAP SHALL BE A MINIMUM OF 1/3 CUBIC FOOT IN SIZE AND A MINIMUM 18" IN DEPTH. DIMENSIONS FOR RIP RAP IN THESE PLANS ARE FOR ESTIMATING PURPOSES ONLY. ACTUAL BEST PLACEMENT OF RIP RAP SHALL BE DETERMINED BY FIELD CONDITIONS AND SHALL BE IN ACCORDANCE WITH INDOT SECTION 616.
8. ALL DRAINAGE PIPE AND DITCH OUTFALLS TO RECEIVING STREAMS SHALL BE CONSTRUCTED IN ACCORDANCE WITH DRAWINGS, SUBJECT HOWEVER, TO ANY MODIFICATION REQUIRED BY THE ENGINEER AT THE TIME INSTALLATION IS COMPLETED AND TO ANY ADJUSTMENTS NEEDED FOR FIELD CONDITIONS NOT ADEQUATELY ANTICIPATED BY THE DESIGN DRAWING.
9. CASTINGS SHALL BE AS SHOWN ON DETAIL SHEET FOR MANUFACTURER, TYPE AND NUMBER. ALL CASTINGS SHALL BE NEENAH OR EAST JORDAN APPROVED EQUAL.

SOIL EROSION CONTROL SUMMARY

- 1. CONTRACTOR SHALL INSTALL SEDIMENT TRAPS AND STRAW BALE FILTERS AS SHOWN.
2. MASS GRADE THE SITE (SIDES OF SWALES, MOUNDS AND PONDS TO BE SODDED OR SEEDED AND MULCHED IMMEDIATELY UPON COMPLETION). TEMPORARY SEEDING SHALL BE RECOMMENDED FOR ALL SWALES AND DISTURBED AREAS THAT CANNOT BE FINAL SEEDED WITHIN A TIME PERIOD THAT WILL PREVENT SOIL EROSION. FOR TEMPORARY SEEDING THE CONTRACTOR SHALL UTILIZE A FAST GROWING SEED OF EITHER OATS, ANNUAL RYEGRASS, WHEAT OR RYE DEPENDING UPON TIME OF YEAR. DISTURBED AREAS SHOULD BE KEPT TO A MINIMUM AT ALL TIMES.
3. CONTRACTOR SHALL CONTROL MUD ACCUMULATION ON ALL STREETS SURROUNDING THE PROJECT BY INSTALLING STONE SURFACE AT ALL LOCATIONS WHERE CONSTRUCTION TRAFFIC LEAVES THE SITE. DUST SHALL BE KEPT TO A MINIMUM BY UTILIZING SPRINKLING, CALCIUM CHLORIDE, VEGETATIVE COVER, SPRAY ON ADDITIVES OR OTHER APPROVED METHODS.
4. MAINTAIN ALL FILTERS AND TRAPS DURING CONSTRUCTION TO PREVENT ANY BLOCKAGES FROM ACCUMULATED SEDIMENT. ADDITIONAL SEEDING AND STRAW BALES MAY BE REQUIRED DURING CONSTRUCTION AS SPECIFIED BY ENGINEER OR SOIL CONSERVATION SERVICE. RIP RAP SHALL BE PLACED IN AREAS OF HIGH VELOCITY STREAM FLOW (MINIMUM SIZE 1/3 CU.FT.). PAYMENT FOR ADDITIONAL STRAW BALES AND RIP RAP NOT SHOWN ON PLANS AND SEEDING SHALL BE ON A UNIT BASIS.
5. CONTRACTOR SHALL INSTALL ALL STORM SEWER INLET FILTERS AS STORM SEWER SYSTEM IS INSTALLED.
6. ALL PROPOSED STREET AREAS TO PAVED AS SOON AS POSSIBLE AFTER SUBGRADE IS PREPARED.
7. CONTRACTOR SHALL REMOVE ALL TEMPORARY EROSION AND SEDIMENT CONTROLS ONLY WHEN THERE IS A SUFFICIENT GROWTH OF GROUND COVER TO PREVENT FURTHER EROSION.
8. ALL SWALES SHALL BE SEEDED IMMEDIATELY AFTER FINAL GRADING.
9. ALL DISTURBED AREAS 20' BEHIND CURBS SHALL BE SEEDED IMMEDIATELY AFTER FINAL GRADING.
10. DURING BUILDING CONSTRUCTION, ALL CONTRACTORS AND SUBCONTRACTORS SHALL KEEP ALL VEHICLES CONFINED TO THE STREET AREAS. TRAFFIC FROM STREET TO BUILDING SITES TO BE A MINIMUM. ANY MUD TRACKED ONTO STREETS TO BE REMOVED AT RESPONSIBLE CONTRACTORS EXPENSE.

SEEDING SPECIFICATIONS

- 1. SWALES/GRASSED WATERWAYS: PERMANENT SEEDING SHALL TAKE PLACE BETWEEN MARCH 1 AND MAY 15 OR FROM AUGUST 10 TO OCTOBER 15 WITH THE FOLLOWING PER ACRE:
25 LBS. KENTUCKY 31 FESQUE
15 LBS. KENTUCKY BLUE GRASS
1000 LBS. 12-12-12 FERTILIZER
3000 LBS. MULCH (STRAW)
2. IF GRADES ARE ESTABLISHED BETWEEN MAY 15 AND AUGUST 10, A TEMPORARY SEEDING CONSISTING OF 40 LBS. OF ANNUAL RYEGRASS SHALL BE PLANTED PER ACRE.
3. IF GRADES ARE ESTABLISHED BETWEEN OCTOBER 15 AND DECEMBER 30, EITHER RYE (GRAIN) OR WHEAT MAY BE USED AT THE RATE OF 2 BUSHELS/AC. OATS MAY BE USED FOR EARLY SPRING PLANTING AT THE RATE OF 3 BUSHELS/AC. ALL GRAINS SHOULD BE CUT AT TIME OF PERMANENT SEEDING. ALL GRAINS SHOULD BE CUT PRIOR SEED MATURING.
4. IF TEMPORARY SEEDING IS ESTABLISHED PRIOR TO PERMANENT SEEDING, THE MULCH MAY BE ELIMINATED EXCEPT IN "BARE" AREAS.
5. IF GRADING OCCURS DURING DECEMBER, JANUARY OR FEBRUARY, NO SEEDING TO TAKE PLACE TILL SPRING PLANTING; HOWEVER, IT IS IMPERATIVE THAT ALL SEDIMENT FILTERS AND TRAPS ARE IN PLACE PRIOR TO BULK EARTHMOVING OR CLEARING

DATE: 06/07/94
TIME: 10:52

MPA MELTON-PACKARD & ASSOCIATES
Civil Engineers • Land Surveyors
9810 N. Shadeland Avenue • Indianapolis, Indiana 46220 • (317) 577-0869

SITE SPECIFICATIONS
HEATHER POINTE - SECTION ONE
PARCEL 22 - HAMILTON PROPER
FISHERS, INDIANA

PRINTED
JAN 20 1997
MELTON-PACKARD

WILLIAM ROSS HUNT, JR.
REGISTERED
No. 17186
STATE OF INDIANA
PROFESSIONAL ENGINEER

DRAWING: 9316H901
DATE: 6/01/94
PROJ. NO.: 9316H
DRAWN BY: HWR
SHEET NO.: C901
TUBE FILE #

FILED
JAN 23 1997
OFFICE OF HAMILTON COUNTY SURVEYOR